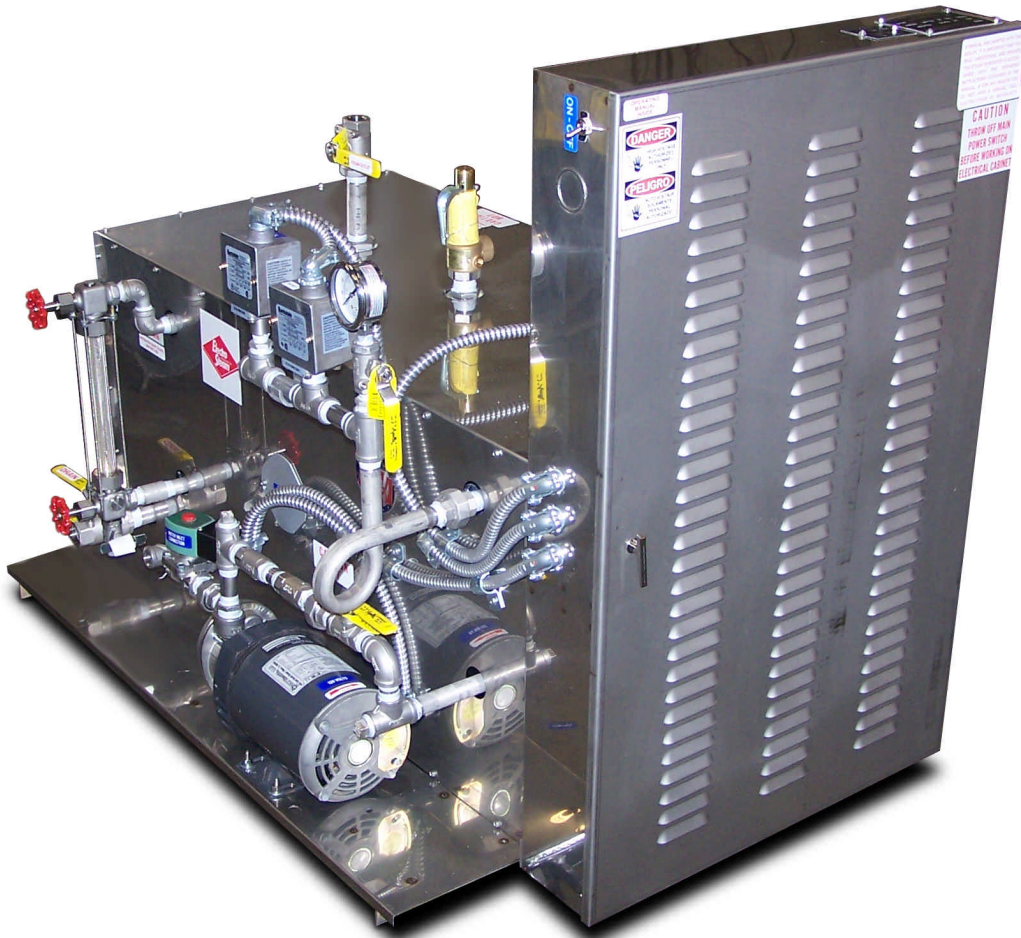


User Manual

& Installation Instruction

S.S. LB-80

IMPORTANT – READ ALL INSTRUCTIONS BEFORE OPERATING



All steam boilers are built in accordance with ASME miniature boiler code.

NOTE: It is the responsibility of the installer to conform to any state or local codes. If further inspection, following modification by installer, is required under state or local codes, that is the responsibility of the local installer.



www.electrosteam.com

rev. 12102018

WARNING - The following labels have been placed on this boiler for **YOUR SAFETY**. Failure to observe these instructions could lead to **PROPERTY DAMAGE, SEVERE INJURY**, or even **DEATH**

**CAUTION
HOT**

**CAUTION
THROW OFF MAIN
POWER SWITCH
BEFORE WORKING ON
ELECTRICAL CABINET**

DANGER
HIGH VOLTAGE
AUTHORIZED
PERSONNEL
ONLY

PELIGRO
ALTO VOLTAJE
SOLAMENTE
PERSONAL
AUTORIZADO

A MANUAL WAS SHIPPED WITH THIS BOILER. IT IS IMPORTANT THAT YOU READ, UNDERSTAND, AND OPERATE THIS STEAM GENERATOR IN ACCORDANCE WITH THE OPERATING INSTRUCTIONS CONTAINED IN THE MANUAL. IF FOR ANY REASON YOU DO NOT HAVE A MANUAL, CALL ELECRTO-STEAM AT 800-634-8177

**REPLACE GLASS
EVERY SIX MONTHS**

**RETIGHTEN SIGHT GLASS
BEFORE USE**

**CAUTION USE ELECTRICAL
SUPPLY CONDUCTORS RATED
FOR A MINIMUM OF 90°C**

**TERMINALS ARE SUITABLE
FOR COPPER WIRE ONLY**
U.L. 834 PAR. 4416

**AMBIENT TEMPERATURE
AROUND UNIT NOT TO
EXCEED 105° F**

TABLE OF CONTENTS

1.) INSTALLATION INSTRUCTIONS	4
2.) OPERATION & SEQUENCE OF EVENTS	5
3.) CLEANING & MAINTENANCE	6-13
3.1) MANUAL "BLOW DOWN"	6
3.2) CLEANING WATER LEVEL PROBES	6-7
3.3) CLEANING OR REPLACING HEATERS	7
3.4) REPLACING GLASS GAUGE AND GLASS PACKINGS	8
3.5) CHAMBER CLEANING & CHEMICAL TREATMENT	9-10
3.6) PRESSURE CONTROL DATA SHEET	11
3.7) SETTING THE PRESSURE CONTROLS	12-13
4.) CALCULATIONS & DATA SHEETS	14-16
4.1) HEATER POWER & VOLTAGE RATINGS	14
4.2) TOTAL POWER RATING CALCULATIONS	14
4.3) AMPERAGE CALCULATIONS	15
4.4) ACTUAL POWER RATING CALCULATIONS	15-16
4.5) STEAM CAPACITY & WATER CONSUMPTION CALCULATIONS	16
5.) DRAWINGS & WIRING SCHEMATICS	17-26
5.1) PARTS LEGENDS	17-18
5.1.1) (S.S.) LB (80KW) (LOW PRESSURE) (0-15PSI)	17
5.1.2) (S.S.) LB (80KW) (HIGH PRESSURE) (0-100PSI)	18
5.2) INSTALLATION DATA SHEETS	19-20
5.2.1) (S.S.) LB (80KW) (LOW PRESSURE) (0-15PSI)	19
5.2.2) (S.S.) LB (80KW) (HIGH PRESSURE) (0-100PSI)	20
5.3) CONTROL WIRING SCHEMATICS	21-24
5.3.1) (S.S.) LB (LOW PRESSURE) (0-15PSI)	21
5.3.2) (S.S.) LB (LOW PRESSURE)(MLWR) (0-15PSI)	22
5.3.3) (S.S.) LB (HIGH PRESSURE) (0-30, 0-100PSI)	23
5.3.4) (S.S.) LB (HIGH PRESSURE)(MLWR) (0-30, 0-100PSI)	24
5.4) HEATER WIRING SCHEMATICS	25-26
5.4.1) (S.S.) LB (40-80KW) (208-240V)	25
5.4.2) (S.S.) LB (80KW) (380-600V)	26
6.) TERMS & CONDITIONS	27

1.) INSTALLATION INSTRUCTIONS

S.S. LITTLE BOILER “LB-SERIES”

The Electro-Steam Generator design consists essentially of a high pressure chamber filled with water that is heated by one or more submerged resistance type electric heating elements. Automatic controls are provided to maintain the pre-set operating pressure and water level. Safety features include: automatic low-water cutoff (manual low-water reset optional), dual pressure controls, safety valve, and visible water level gauge. All of our generators are built in accordance with A.S.M.E. Miniature Boiler Code and are individually inspected and stamped by an Authorized National Board Insurance Inspector.

IMPORTANT – READ ALL INSTRUCTIONS BEFORE OPERATING

Important – Set unit perfectly level, and as close as possible to the steam vessel or appliance it will operate. For generator measurements, refer to Installation Data Drawing attached. For interpretation of numbered items, refer to Parts Legend Drawing attached.

NOTE: Ambient temperature around this unit must not exceed 104°F or 40°C.

CONNECTIONS:

Periodically check all plumbing and electrical connections for tightness; this should also be done before initial start-up.

ELECTRICAL:

This generator must be connected a disconnect switch protected by fuses or a circuit breaker with the proper size wire by a licensed electrician in accordance with N.E.C. and your local codes – Voltage, KW, and Phase requirement are marked on the nameplate.

WATER SUPPLY:

Connect D.I. or R.O. purity water line to **Water Inlet #6**.

Purity Range: 1 – 5.5 MEG OHM per CM

Temperature Range: 32°F – 140°F or 0°C – 60°C.

Pressure Range: 20PSI – 150PSI.

STEAM OUTLET:

Connect **Steam Outlet Valve (#16)** to piece of equipment, vessel, room, or area to be operated by Electro Steam Generator.

SAFETY VALVE:

Route the **Safety Valve (#18)** separately than the **Drain (#19)** to a high temperature drain ***NO PVC**. Discharging pipe should never be smaller than the valve outlet and should be rigidly supported, placing no weight on the safety valve itself.

DRAIN:

Route the **Drain (#19)** separately than **Safety Valve (#18)** to a high temperature drain ***NO PVC**.

2.) OPERATION & SEQUENCE OF EVENTS

IMPORTANT – READ INSTALLATION INSTRUCTIONS BEFORE OPERATING

1. Turn on water supply from the source to the Generator.
2. **OPEN** all valves on the Generator except for the **Manual Drain (#19)**.
3. Place main disconnect box in **ON** position.
4. Place **ON/OFF Switch (#2)** in **ON** position.
 - The **Water Solenoid (#7)** [and **Pump (#8)**, if high pressure] will engage and the chamber will begin to fill with water. As the water level rises, it will make contact with the **(D)** and **(A)** probes, indicating the heaters are safely submerged. At this time the contactors will engage, supplying power to the heaters, causing steam pressure to accumulate.
 - The chamber will continue to fill with water until 1 seconds after the water makes contact with the **(C)** probe, causing the **Water Solenoid (#7)** [and **Pump (#8)**, if high pressure] to turn off.
 - If your generator is equipped with a **Manual Low-Water Reset (MLWR) (#3)**, it must be pressed at this time to engage the contactors. If the contactors still have not engaged, you may need to press the **Safety Reset (#13)** on the “**Safety**” **Pressure Control (#12)**.
 - Steam pressure will continue to rise until it reaches its set operating pressure. This may take up to 20 minutes. At this time, the “**Control**” **Pressure Control (#12)** will cause the contactors to disengage. The pressure will drop approximately 2-8 PSI until the “**Control**” **Pressure Control (#12)** causes the contactors to reengage, causing the pressure to rise again. The contactors will continue to cycle on and off during operation.
5. The Generator is now fully operational and will produce steam until it is turned off.
 - As steam is exhausted, the water level will drop until 1 second after it breaks contact with the **(C)** probe. At this time, the **Water Solenoid (#7)** [and **Pump (#8)**, if high pressure] will engage and the chamber will again fill with water. The chamber will continue filling until 1 second after the water makes contact with the **(C)** probe again. The **Water Solenoid (#7)** [and **Pump (#8)**, if high pressure] will continue to cycle on and off during operation.
6. To shut off the Generator, place **ON/OFF Switch (#2)** in **OFF** position. Pressure will drop naturally as the chamber cools, or the Generator may be drained manually through **Manual Drain (#19)**. (See Manual Blow Down 3.1)

WARNING – **HOT WATER** and **STEAM** under **HIGH PRESSURE** can lift drain pipes right off the ground and cause **SERIOUS INJURY**. Make sure drain pipe is **SECURE** and **CANNOT** move. The drain must be directed into a **HIGH TEMPERATURE** drain (**NO PVC**) or outside.

3.) CLEANING & MAINTENANCE

The following cleaning procedures are **HIGHLY RECOMMENDED** in order to keep your Steam Generator in the best operating condition at all times.

3.1) MANUAL “BLOW DOWN”

Blow Downs should be done **AT LEAST TWICE A MONTH**.

NOTE: The best time to Blow Down your generator is after it has been running for some time, while it is still hot.

1. Place main disconnect switch and the **Toggle Switch (#2)** in the OFF position.
2. Allow pressure to drop between 10 and 20 PSI.
3. Open **Manual Drain (#19)** slowly, allowing **HOT WATER** and **STEAM** to blow out into the drain, cleaning out the generator.

NOTE: Blow Down your generator at any pressure you feel comfortable with. 10 to 20 PSI is only a recommendation. You may go higher or lower, but higher is always better.

WARNING – **HOT WATER** and **STEAM** under **HIGH PRESSURE** can lift drain pipes right off the ground and cause **SERIOUS INJURY**. Make sure drain pipe is **SECURELY STRAPPED** and **CANNOT** move. The drain must be directed into a **HIGH TEMPERATURE** drain (**NO PVC**).

3.2) CLEANING WATER LEVEL PROBES

Water Level Probes are the heart of your generator. Almost all steam generator malfunctions are caused by dirty water level probes. **CLEANING** your **PROBES** is by far the **MOST IMPORTANT** maintenance step to keep your generator running properly. The probes should be cleaned **AT LEAST 3-4 TIMES A YEAR**.

NOTE: The best time to clean your probes is before you turn your generator on, while it is still cool.

1. Place main disconnect switch and the **Toggle Switch (#2)** in the **OFF** position.
2. Make sure generator is cool and the **Pressure Gauge (#15)** reads 0 PSI.
3. Find the **Water Level Probes (#5)**, located in the blue box on top of generator.
4. Unscrew the four #2 Philips head screws and remove cover plate, exposing the **Water Level Probes (#5)**.
5. Use 5/16” Socket to remove wires from probes.
6. Use 13/16” Spark Plug Socket to remove probes from chamber.
7. Clean probes to remove rust and scaling.

NOTE: To clean probes you may use wire wheel, wire brush, steel wool, or Scotch-Brite. (Wire wheel works the best) You may also want to try some sort of chemical like CLR remover or LIME-A-WAY.

3.2) CLEANING WATER LEVEL PROBES (Continued)

8. Reinstall probes assuring each probe's length is assigned to its proper letter.
9. Reconnect wires to probes assuring each color is also assigned to its proper letter.

NOTE: DO NOT make wires too tight. Just tighten enough to make contact. Over tightening can cause probe plugs to pull apart over time.

10. Reinstall cover plate.

Water Level Probe Specifications:

Letter Assignment on Chamber	A	B	C	D
Water Level Probe Length	5 1/4"	5 1/2"	3 3/4"	5 1/2"
Wire Color Assignment	RED	Not Used	BLACK	GREEN
Pin Assignment on Water Control Relays	Pins 3&4 Right Relay	Not Used	Pins 3&4 Left Relay	Pins 5&5 Both Relays

NOTE: The (B) Probe is not used. It is a spare probe that can be cut and used to replace any one of the other probes.

WARNING – There **MUST be NO PRESSURE** in the chamber when removing probes. If you must change probes while chamber is **HOT**, make sure the steam out and drain valves are open to assure chamber will remain depressurized. **DO NOT** touch probes with your bare hands while **HOT**, and be cautious of escaping steam from probe holes while probes are removed.

3.3) CLEANING OR REPLACING HEATERS

Heaters are located inside the **Control Panel (#1)** below the insulation barrier, bolted into the chamber. If (3.5) Chamber Chemical/Acid Treatments are not regularly done, heaters must be taken out and inspected **AT LEAST ONCE A YEAR**, cleaned with wire brush and reinstalled using a new gasket. If you are replacing or cleaning your heater elements:

1. Place main disconnect switch and the **Toggle Switch (#2)** in the OFF position.
2. Make sure generator is cool and the **Pressure Gauge (#15)** reads 0 PSI.
3. Remove heater wires from heater(s), using a 3/8" Socket.
4. Unbolt and remove heater(s) using a 1 1/16" Socket.

NOTE: Heater(s) may be difficult to get out; you may need to use some sort of pry bar to get them loose.

5. Clean heater(s) with wire brush. If replacing, dispose of old heater(s).
6. Reinstall heater(s) with new gasket(s).
7. Attach heater wires assuring proper wiring. *Refer to Heater Wiring Schematics attached*

NOTE: If you are replacing a heater because of a heater failure, you must also clean the probes and clean out the chamber, or you may have another heater failure within 48 hours.

3.4) REPLACING GLASS GAUGE & GLASS PACKINGS

The **Sight Glass (#10)** gives the operator the ability to easily monitor the actual water level inside the chamber. If the **Sight Glass (#10)** gets clogged or is no longer functional, it can be very difficult to troubleshoot a problem.

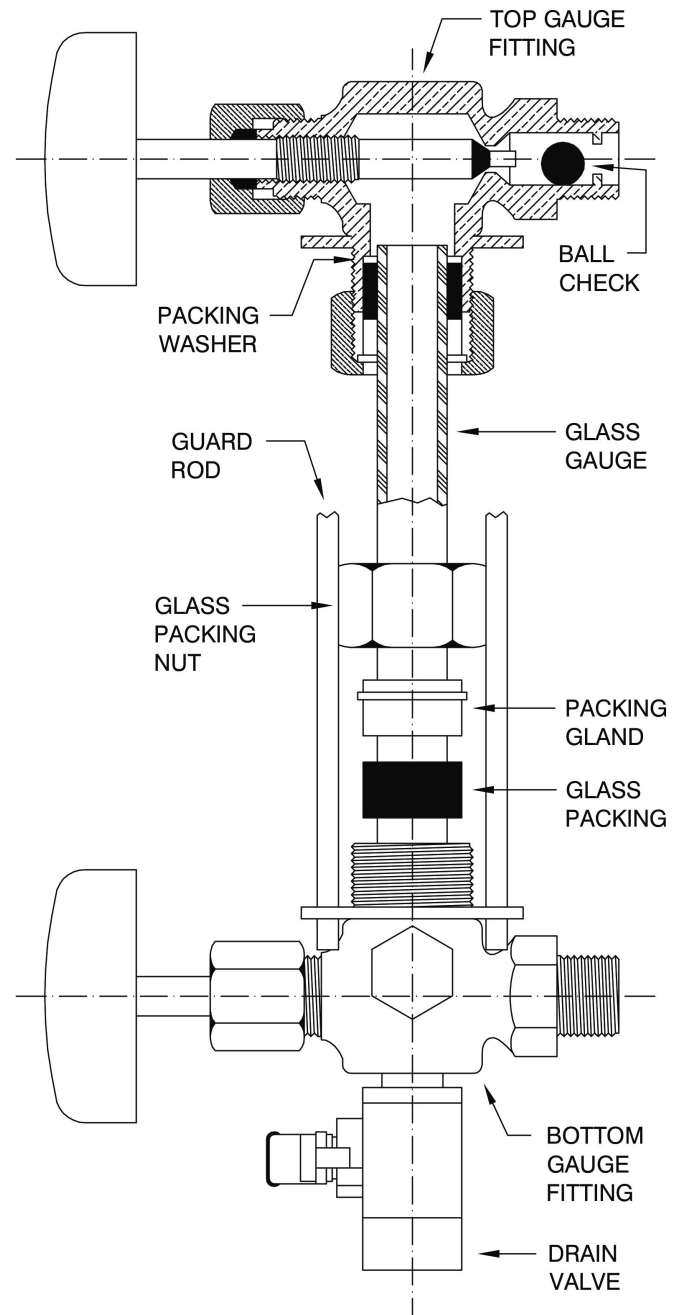
3.4.2) S.S. SIGHT GLASS (SEISMIC) GLASS GAUGE and GLASS PACKINGS MUST be replaced EVERY SIX MONTHS

The Seismic Sight Glass is equipped with **BALL CHECKS** in each **GAUGE FITTING**

INSTALLATION:

Only properly trained personnel should install and maintain water gauge glass and connections. Remember to wear safety gloves and glasses during installation. Before installing, make sure all parts are free of chips and debris.

1. Uninstall **GUARD RODS, GLASS GAUGE, and GLASS PACKINGS**. (you may need to rotate one of the **GAUGE FITTINGS** to remove **GLASS GAUGE**)
2. Slip a new **GLASS PACKINGS** on the new **GLASS GAUGE** about an inch from the bottom.
3. Now slip the following items through the top of **GLASS GAUGE** in the following order:
 - **PACKING GLAND** (facing down)
 - **GLASS PACKING NUT** (facing down)
 - **GLASS PACKING NUT** (facing up)
 - **PACKING GLAND** (facing up)
 - **GLASS PACKINGS** (inch down from top)
 - **PACKING WASHER**
4. Gently insert **GLASS GAUGE** into **GAUGE FITTINGS**. You may need to rotate **GAUGE FITTINGS** until vertically aligned, after **GLASS GAUGE** is in.
5. Carefully raise **GLASS GAUGE** about 1/16" from bottom and slide lower **GLASS PACKINGS** down until it makes contact with the **BOTTOM GAUGE FITTING**. (**DO NOT** allow **GLASS GAUGE** to remain in contact with any metal)
6. Carefully slide upper **GLASS PACKINGS** up as far as possible.
7. Hand tighten both **GLASS PACKING NUTS**, then tighten 1/2 turn more by wrench. Tighten only enough to prevent leakage. **DO NOT OVER TIGHTEN!** If any leakage should occur, tighten slightly, a quarter turn at a time, checking for leakage after each turn.
8. Reinstall **GUARD RODS**.



3.5) CHAMBER CHEMICAL/ACID TREATMENT

All Electric Steam Generator should be cleaned regularly. The following is the least amount of times recommended to clean out your chamber:

NORMAL WATER AREAS – Should be done **ONCE A YEAR**.

BAD WATER AREAS – Should be done **TWICE A YEAR**.

Chamber Treatment Instructions:

1. Turn on generator, allowing pressure to climb to **10 to 20 PSI** on **Pressure Gauge (#15)**, and then shut off.
2. **“Blow Down”** Open **Manual Drain (#19)** slowly, allowing **HOT WATER** and **STEAM** to blow out into the drain.

NOTE: You may Blow Down your generator at any pressure you feel comfortable with. **10 to 20 PSI** is only a recommendation. You may go higher or lower, but higher is always better.

WARNING – **HOT WATER** and **STEAM** under **HIGH PRESSURE** can lift drain pipes right off the ground and cause **SERIOUS INJURY**. Make sure drain pipe is **SECURE** and **CANNOT** move. The drain must be directed into a **HIGH TEMPERATURE** drain (**NO PVC**).

3. Remove **Safety Valve (#18)**.

WARNING – There **MUST** be **NO PRESSURE** in the chamber when removing the Safety Valve, make sure the steam out and drain are open to assure chamber will remain depressurized. Be cautious of escaping steam from chamber while Safety Valve is removed.

4. Close **Manual Drain (#19)** and **Steam Out (#16)**; turn generator on until **Sight Glass (#10)** shows that it is 1/2 full, and then shut off.
5. Insert funnel into coupling, where **Safety Valve (#18)** used to be.
6. Pour a **1 Gallon** of **Sulfamic Acid** into funnel very slowly, being careful of fumes and venting while pouring.

NOTE: Solution can be obtained from any industrial chemical dealer.

FOR FOOD APPLICATIONS: Use FDA approved chemicals.

7. Remove funnel, reinstall **Safety Valve (#18)**, and verify **Steam Out (#16)** is closed; let solution set in generator for **1 HOUR**.
8. Turn on generator, allowing pressure to climb to **5 PSI** on **Pressure Gauge (#15)**, and then shut off.

3.5) CHAMBER CHEMICAL/ACID TREATMENT (Continued)

9. Allow the pressure to drop to 0 PSI on **Pressure Gauge (#15)** naturally. **DO NOT** open **Steam Out (#16)** or **Manual Drain (#19)** until pressure is down.
10. Remove **Safety Valve (#18)**.
11. Reinsert funnel, and fill generator completely to the top with clean water; let stand for an additional **1/2 HOUR**.

NOTE: Turning on the generator will not completely fill it to the top. Filling must be done manually through the safety valve coupling.

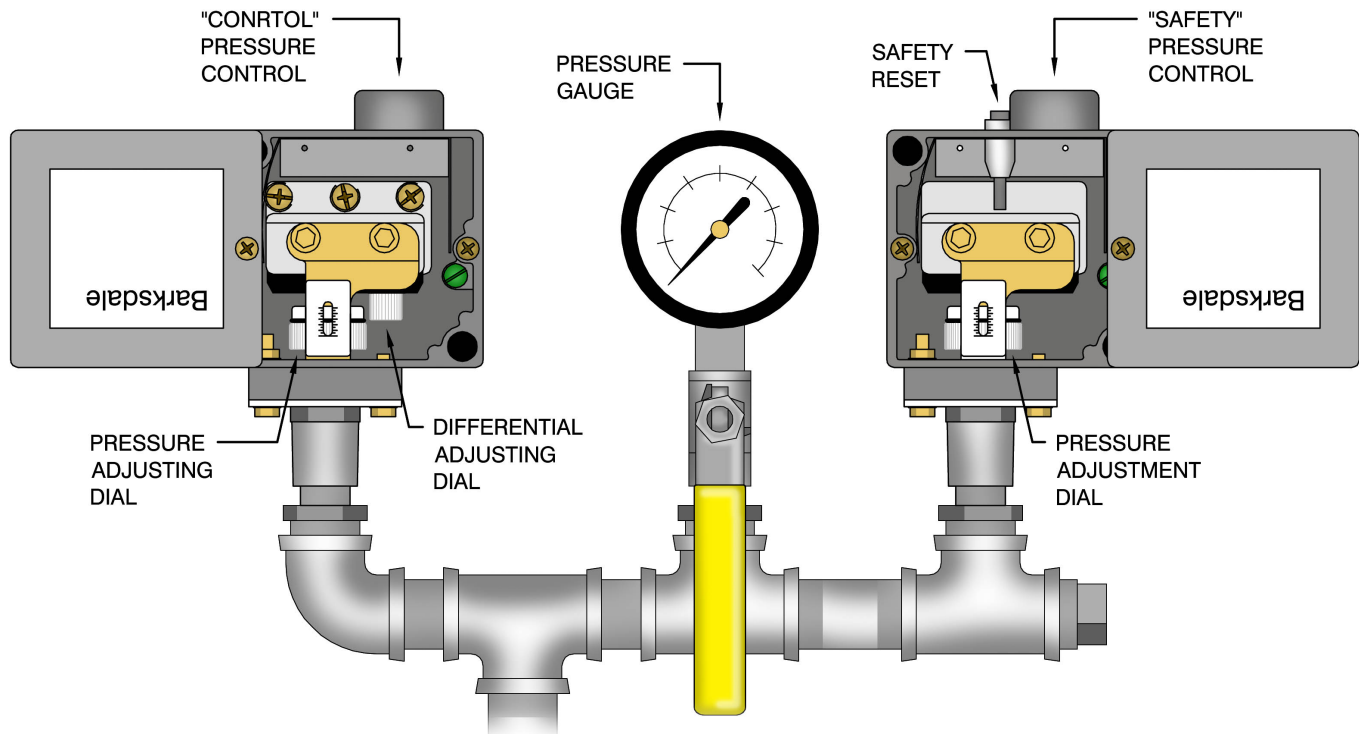
12. Open **Manual Drain (#19)** to drain generator.
13. Close **Manual Drain (#19)**; refill generator completely to the top with clean water and open **Manual Drain (#19)** to flush out generator completely.
14. Reinstall Safety Valve (#18) and close **Manual Drain (#19)**.
15. Turn on generator, allowing pressure to climb to **10 to 20 PSI** on **Pressure Gauge (#15)**, and then shut off.
16. **“Blow Down”** Open **Manual Drain (#19)** slowly, allowing **HOT WATER** and **STEAM** to blow out into the drain.

NOTE: You may Blow Down your generator at any pressure you feel comfortable with. **10 to 20 PSI** is only a recommendation. You may go higher or lower, but higher is always better.

WARNING – **HOT WATER** and **STEAM** under **HIGH PRESSURE** can lift drain pipes right off the ground and cause **SERIOUS INJURY**. Make sure drain pipe is **SECURE** and **CANNOT** move. The drain must be directed into a **HIGH TEMPERATURE** drain (**NO PVC**).

17. Your generator is now ready for normal use and operation.

3.6) PRESSURE CONTROL DATA SHEET



DEFINITIONS:

“CONROL” PRESSURE CONTROL – This pressure control should be the only one controlling the operating pressure of the generator.

“SAFETY” PRESSURE CONTROL – This pressure control is only used if the “Control” fails. It is always set higher than the “Control”; if the operating pressure is passed, The “Safety” will turn the heaters off.

SAFETY RESET – This reset is tripped when the “Safety” turns the heaters off. It must be manually pushed to turn the heaters back on. This lets the user know there was a problem. If it is tripped, the “Control” most likely failed.

PRESSURE ADJUSTING DIAL – These dials adjust the set pressure at which each pressure control will turn the heaters off.

DIFFERENTIAL ADJUSTING DIAL – This dial is only on the “Control”. When the “Control” turns the heaters off, the amount of pressure that is dropped before it turns the heaters back on (the differential) can be adjusted by this dial. This dial should never have to be adjusted, unless desired.

PRESSURE GAUGE – This tells the user what pressure is in the chamber. The pressure controls are set to this gauge.

3.7) SETTING THE PRESSURE CONTROLS

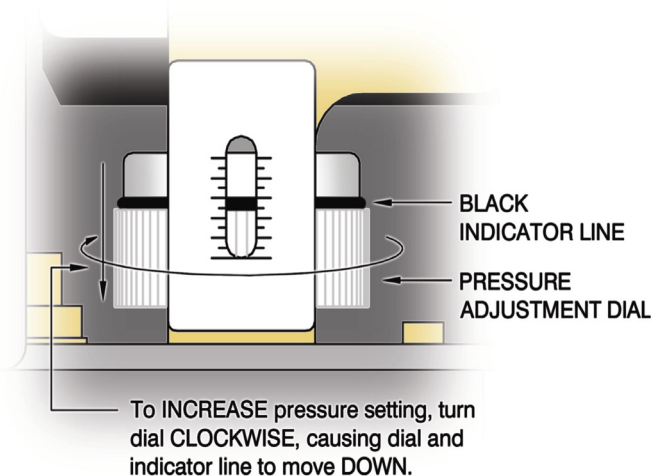
WARNING – DO NOT ALTER the original **FACTORY PRESSURE SETTINGS** of the **Pressure Switches** without contacting Electro-Steam Generator Corp. Every boiler is designed to produce a specific flow rate of steam at a set pressure. Altering the factory pressure settings will affect the performance of the machine, which may Hinder your process, **CAUSE DAMAGE** and potentially **VOID ANY WARRANTIES**.

WARNING – Contact Electro-Steam Generator Corp, **BEFORE** attempting to adjust the **Pressure Switches**. The Pressure switches should only be adjusted if one has been replaced or if the set points have drifted from their original factory set points.

WARNING – The **Pressure Switches** must be set while all circuits are live. **TO AVOID ELECTRICAL SHOCK, DO NOT TOUCH** the wires or the terminals in which they connect while setting the **Pressure Switches**.

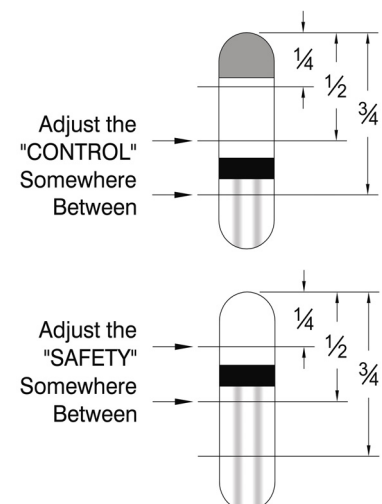
NOTES:

- Setting the pressure controls greatly relies on your ability to tell whether the contactor(s) are turning the heaters on or off. You should be able to hear the contactor(s), located inside the **Electrical Box (#1)**, click on and off. Familiarize yourself with this sound.
- The order in which the pressure controls must be set is the “Safety” and then the “Control”.
- In order to set the “Safety” you must keep the “Control” at a higher pressure setting than the Safety”
- Once the “Safety” is set, then you can lower the “Control” to its correct setting.
- To **INCREASE** the pressure setting, when looking down on pressure control, using your two index fingers, turn the **PRESSURE ADJUSTMENT DIAL CLOCKWISE**, causing the **BLACK INDICATOR LINE** to move **DOWN** the scale.
- To **DECREASE** the pressure setting, turn the dial **COUNTER CLOCKWISE**, causing the indicator line to move **UP** the scale.



SETTING INSTRUCTIONS:

1. Open the pressure control covers, as shown on previous page.
2. Adjust the **PRESSURE ADJUSTMENT DIAL** on the “**CONTROL**” so that the **BLACK INDICATOR LINE** is somewhere between $\frac{1}{2}$ and $\frac{3}{4}$ of the way down from the top.
3. Adjust the **PRESSURE ADJUSTMENT DIAL** on the “**SAFETY**” so that the **BLACK INDICATOR LINE** is somewhere between $\frac{1}{4}$ and $\frac{1}{2}$ of the way down from the top.
4. Close the **Steam Out (#16)** and turn on generator. When the contactor(s) click on, the pressure will rise. If contactor(s) do not click on right away, you may need to press **SAFETY RESET**. Continue to watch the **Pressure Gauge (#15)** until you hear the contactor(s) click off. This may take up to 20 minutes.



3.7) SETTING THE PRESSURE CONTROLS (Continued)

WARNING – DO NOT allow the pressure to exceed the rating on the **Safety Valve (#18)**. If contactor(s) do not turn off before the pressure limit is exceeded, manually shut off generator, open the **Steam Out (#16)**, and **DECREASE** the pressure setting on the “**SAFETY**” pressure control. Repeat step #4.

- At this point the contactor(s) should be clicked off and you should be able to click them on and then off again by pressing the **SAFETY RESET**. This is a way to test if the “**SAFETY**” is still controlling the pressure, and not the “**CONTROL**”. While setting the “**SAFETY**” and the contactor(s) are off, if the **SAFETY RESET** does not cause the contactor(s) to click on and off again, **INCREASE** the setting on the “**CONTROL**”

Pressure Control Settings		
	“Control”	“Safety”
High Pressure (0-100 PSI)	80 PSI	85 PSI
Low Pressure (0-15 PSI)	11 PSI	13.5 PSI

WARNING – DO NOT allow the pressure to exceed the rating on the **Safety Valve (#18)**. If contactor(s) do not turn off before the pressure limit is exceeded, manually shut off generator, open the **Steam Out (#16)**, and **DECREASE** the pressure setting on the “**SAFETY**” pressure control. If you cannot get the “**SAFETY**” to control the pressure, it may need to be replaced.

- Open the **Steam Out (#16)** to exhaust some pressure. Continue pressing the **SAFETY RESET** until the contactor(s) click on and remain on. The pressure should eventually begin to rise. If it doesn't, throttle the **Steam Out (#16)** somewhere between closed and open until it does.
- Pay attention to what the pressure reads when the contactor(s) click off. If the pressure stopped **BELOW** the “**SAFETY PRESSURE SETTING**”, then **INCREASE** the pressure setting on the “**SAFETY**”. If the pressure stopped **ABOVE**, then **DECREASE** the pressure setting.
- Continue to watch the pressure go up and down, while adjusting the “**SAFETY**” and pressing the **SAFETY RESET**, until the pressure stops at the proper “**SAFETY PRESSURE SETTING**”.
- At this point the “**SAFETY**” should be set to the proper “**SAFETY PRESSURE SETTING**”, and the “**CONTROL**” should be set somewhere above the “**SAFETY**”.
- Let the pressure drop below the “**OPERATING PRESSURE SETTING**” and then press the **SAFETY RESET**, so that the contactor(s) click on. **DECREASE** the pressure setting on the “**CONTROL**” until the contactor(s) click off.
- Repeat Step 10 until you no longer need to press the **SAFETY RESET** for the contactor(s) to click on.
- Continue to watch the pressure go up and down, while adjusting the “**CONTROL**”, until the pressure stops at the proper “**OPERATING PRESSURE SETTING**”.
- The Pressure Controls are now set.

NOTE: If at anytime the **SAFETY RESET** needs to be pressed after the pressure controls are set, either one of the controls are bad, the “**SAFETY**” is set too low, or the “**CONTROL**” is set too high.

4.) CALCULATIONS AND DATA SHEETS

4.1) HEATER POWER & VOLTAGE RATINGS

LB 80 Model units use (3) **25KW** heaters to meet the required **75KW** of **POWER** from the customer's specified **INPUT VOLTAGE**. Each heater comes 4 different **VOLTAGE RATINGS**.

AVAILABLE HEATER RATINGS				
KW	VOLTAGES			
25	208	230	480	600

POWER RATINGS per MODEL		
MODEL UNIT	QUAN.	KW
LB-80	3	25

HEATER VOLTAGE RATINGS per INPUT VOLTAGE (VOLTS)														
Input Voltage	208	220	230	240	380	400	415	425	440	460	480	550	575	600
LB-80	208	230	230	230	208	230	230	230	480	480	480	600	600	600

NOTE: 380-425V heaters are not usually rated for 380-425V. They are usually 208-240V heaters that have been re-stamped 380-425V and jumpered in series.

4.2) TOTAL POWER RATING CALCULATIONS

The **HEATER POWER RATING** and **NUMBER OF HEATERS** are used to calculate the **TOTAL POWER RATING**. Since the **HEATER POWER RATINGS** are in Kilowatts, they must be multiplied by 1000 to convert them to Watts.

$$P_T = P_H \times X_H$$

DEFINITIONS:

P_T = Total Power Rating

P_H = Heater Power Rating

X_H = X Number of Heaters

MODEL UNIT	LB-80
Heater Power Rating (Watts)	25,000
X Number of Heaters	3
Total Power Rating (Watts)	75,000

4.3) AMPERAGE CALCULATIONS

The **INPUT VOLTAGE**, **PHASE**, **TOTAL POWER RATING**, and **HEATER VOLTAGE RATING** are used to calculate the amperage.

NOTE: 380-425V heaters are not usually rated for 380-425V. They are usually 208-240V heaters that have been re-stamped 380-425V and jumpered in series.

FORMULAS TO CALCULATE THREE PHASE AMPERAGE	
208-240V & 440-600V	380-425V (using 208-240V heaters)
$I = \frac{P_T V_I}{V_H^2 \sqrt{3}}$	$I = \frac{P_T V_I}{(\sqrt{3} V_H)^2 \sqrt{3}}$

DEFINITIONS:

I = Amperage

V_I = Input Voltage

P_T = Total Power Rating

V_H = Heater Voltage Rating

THREE PHASE AMP DRAW CALCULATIONS (AMPS)														
Input Voltage	208	220	230	240	380	400	415	425	440	460	480	550	575	600
LB-80	208	180	188	196	127	109	113	116	82.7	86.5	90.2	66.2	69.2	72.2

4.4) ACTUAL POWER RATING CALCULATIONS

Because the **HEATER VOLTAGE RATINGS** only come in 4 different voltages, and there are so many different voltages in the field, the **TOTAL POWER RATING** is only completely accurate if the **INPUT VOLTAGE** is exactly equal to the **HEATER VOLTAGE RATING**. This means, in most cases, the **TOTAL POWER RATING** is not completely accurate. The **AMERAGE** and **INPUT VOLTAGE** can be used to calculate the **ACTUAL POWER RATING**.

FORMULAS TO CALCULATE ACTUAL POWER RATINGS	
THREE PHASE	SINGLE PHASE
$P_A = I V_I \sqrt{3}$	$P_A = I V_I$

DEFINITIONS:

P_A = Actual Power Rating

I = Amperage

V_I = Input Voltage

4.4) ACTUAL POWER RATING CALCULATIONS (Continued)

(3PH) ACTUAL POWER RATING CALCULATIONS (LB-80)														
Input Voltage	208	220	230	240	380	400	415	425	440	460	480	550	575	600
Power (KW)	75	68.6	75	81.7	83.4	75.6	81.4	85.4	63	68.9	75	63	68.9	75

4.5 STEAM CAPACITY & WATER CONSUMPTION CALCULATIONS

Steam Capacity Calculations are based on the impossible feed water temperature of 212°F.

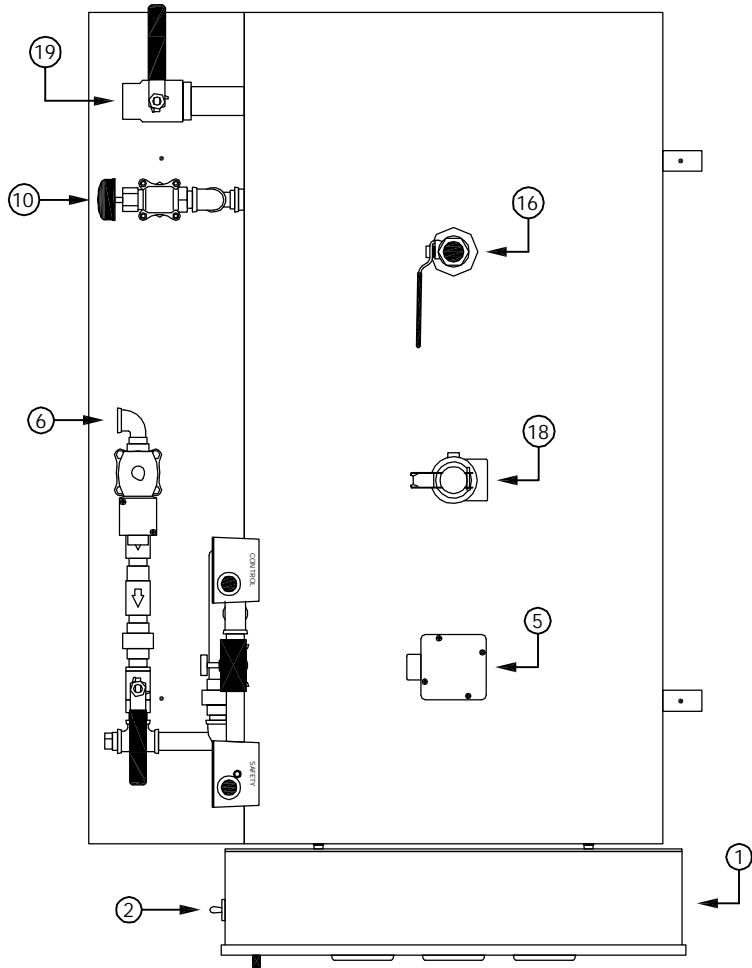
WARNING – Anything above 140°F will cause damage to water solenoid and pump.

STEAM CAPACITY & WATER CONSUMPTION CALCULATIONS						
	BHP	BTU/HR	AVERAGE STEAM CAPACITY		AVERAGE WATER CONSUMPTION	
			LB/HR	KG/HR	GAL/HR	LIT/HR
FEED WATER @ 212°F (100°C)	7.5	251063	258.8	117.4	31.01	117.4
FEED WATER @ 140°F (60°C)	6.75	225956	232.9	105.7	27.91	105.7
FEED WATER @ 100°F (38°C)	6	200850	207	93.91	24.81	93.91
FEED WATER @ 60°F (16°C)	5.63	188297	194.1	88.04	23.26	88.04

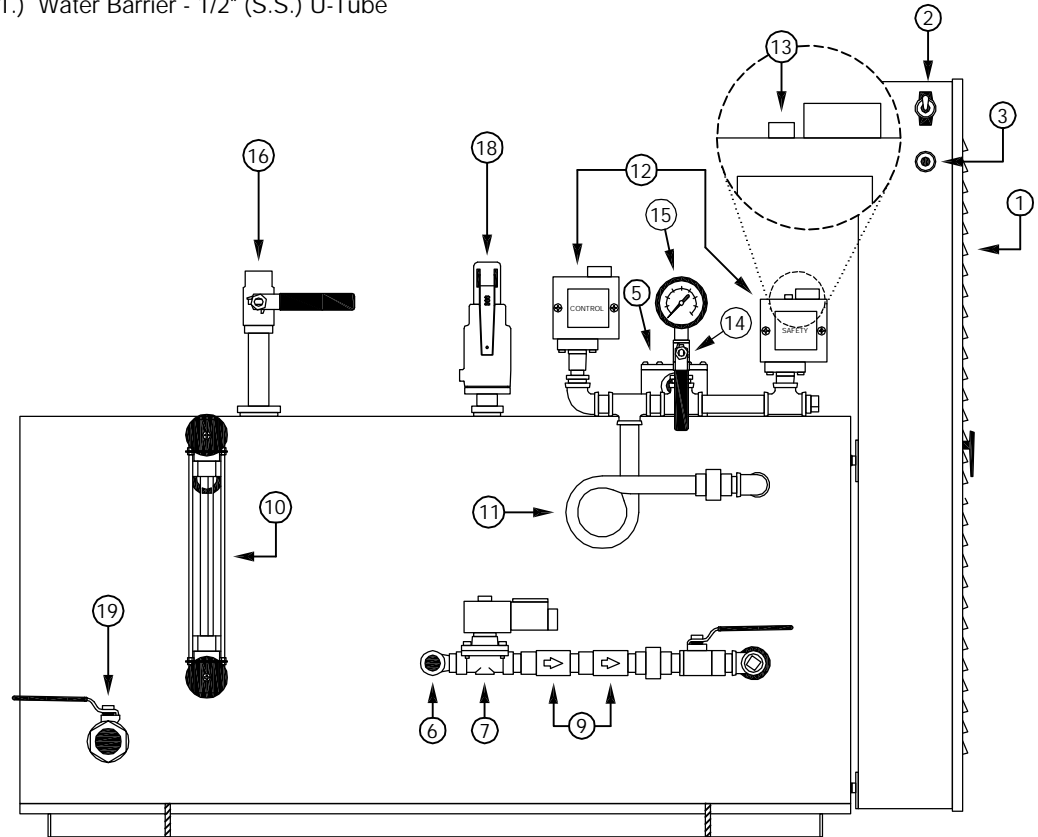
PARTS LEGEND - S.S. LB 80 (L)

- | | |
|--|--|
| 1.) Control Box | 12.) 0-90 PSI (S.S.) Pressure Controls |
| 2.) ON/OFF Switch | 13.) Reset on "Safety" Pressure Switch |
| 3.) Manual Low-Water Reset (MLWR) (Optional) | 14.) 1/4" (S.S.) Ball Valve |
| 4.) Water Level Probes | 15.) 0-30 PSI (S.S.) Pressure Gauge |
| 5.) Water Inlet - 1/2" (S.S.) Street Elbow | 16.) Steam Out - 3/4" (S.S.) Ball Valve |
| 6.) 1/2" (S.S.) Water Solenoid | 17.) 15 PSI (S.S.) Safety Relief Valve |
| 7.) 1/2" (S.S.) Check Valves | 18.) Manual Drain - 1" (S.S.) Ball Valve |
| 8.) 5/8" x 9.5" (S.S.) Seismic Sight Glass | |
| 9.) Water Barrier - 1/2" (S.S.) U-Tube | |

17 of 27



TOP VIEW



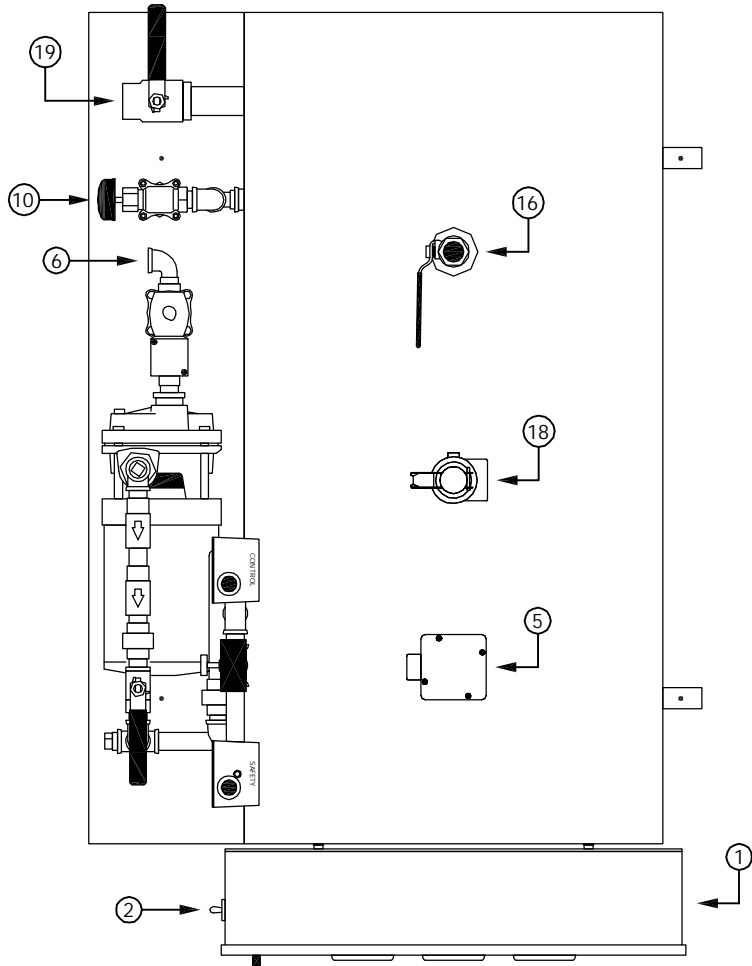
SIDE VIEW

This drawing and all information therein are the property of Electro-Steam Generator Corp. and shall not be disclosed, in whole or in part, to any third party without prior permission of Electro-Steam Generator Corp.

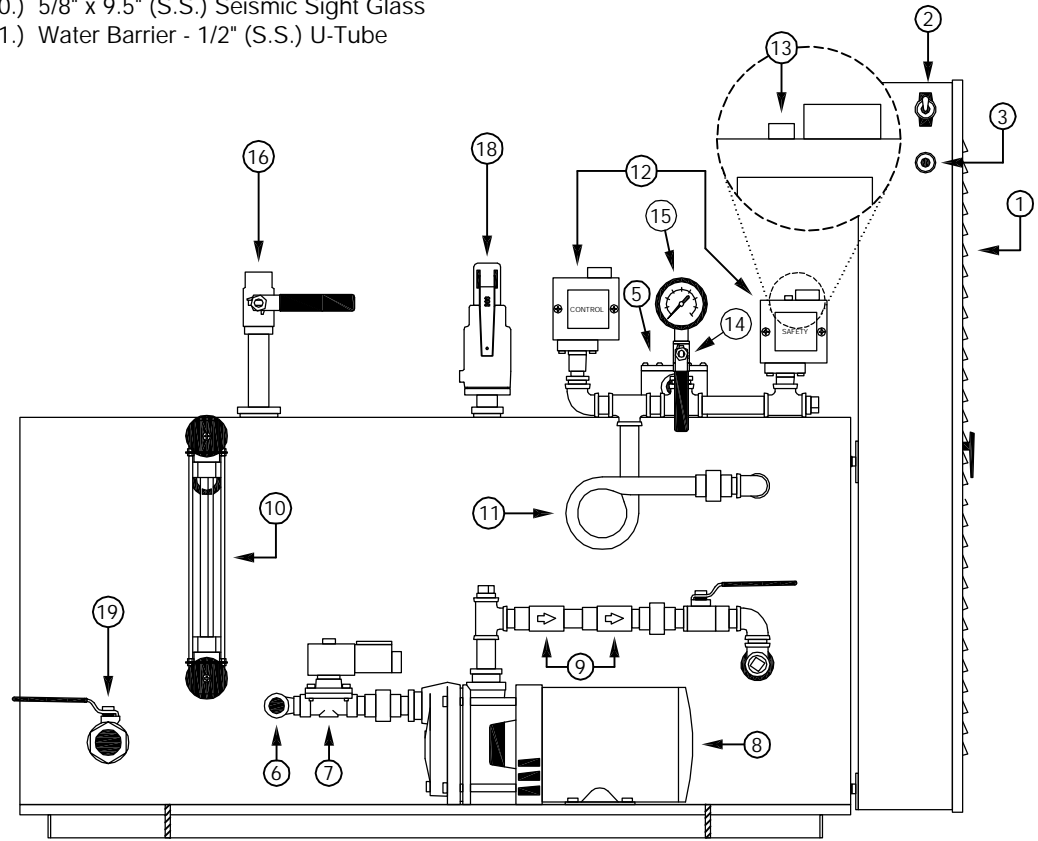
DRAWING TITLE: (PARTS LEGEND) S.S. LB 80 (L)		MODEL UNIT: S.S. LB 80		ELECTRO-STEAM GENERATOR CORP.	
DESCRIPTIONS:		DRAWN BY:	CHRISTOPHER FERRARA	12-14-09	50 Indel Ave. P.O. Rancocas, NJ 08073-0438
LOW PRESSURE		CHECKED:	SAL NEGRO	12-14-09	
STAINLESS STEEL		ENGINEER:	-	-	
		APPROVED:	SAL NEGRO	12-14-09	
DWG NO.:					SCALE: N/A
					SHEET: 1 OF 1

PARTS LEGEND - S.S. LB 80 (H)

- | | |
|--|--|
| 1.) Control Box | 12.) 0-90 PSI (S.S.) Pressure Controls |
| 2.) ON/OFF Switch | 13.) Reset on "Safety" Pressure Switch |
| 3.) Manual Low-Water Reset (MLWR) (Optional) | 14.) 1/4" (S.S.) Ball Valve |
| 4.) Water Level Probes | 15.) 0-160 PSI (S.S.) Pressure Gauge |
| 5.) Water Inlet - 1/2" (S.S.) Street Elbow | 16.) Steam Out - 3/4" (S.S.) Ball Valve |
| 6.) 1/2" (S.S.) Water Solenoid | 17.) 100 PSI (S.S.) Safety Relief Valve |
| 7.) 1/3 HP (S.S.) Pump & Motor | 18.) Manual Drain - 1" (S.S.) Ball Valve |
| 8.) 1/2" (S.S.) Check Valves | |
| 9.) 5/8" x 9.5" (S.S.) Seismic Sight Glass | |
| 10.) Water Barrier - 1/2" (S.S.) U-Tube | |



TOP VIEW



SIDE VIEW

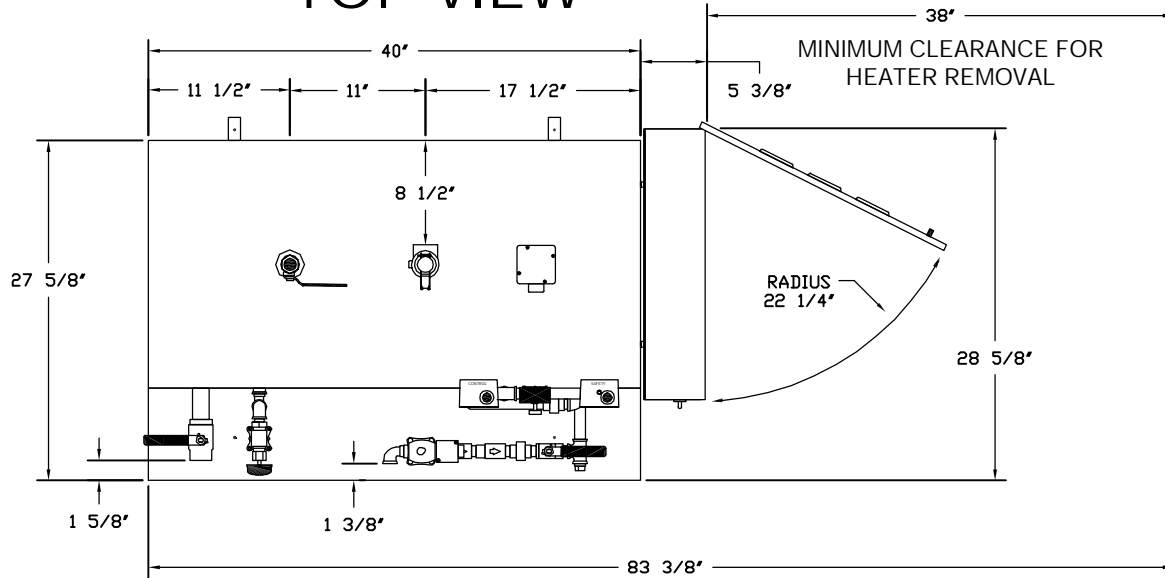
18 of 27

This drawing and all information therein are the property of Electro-Steam Generator Corp. and shall not be disclosed, in whole or in part, to any third party without prior permission of Electro-Steam Generator Corp.

DRAWING TITLE: (PARTS LEGEND) S.S. LB 80 (H)		MODEL UNIT: S.S. LB 80		ELECTRO-STEAM GENERATOR CORP.	
DESCRIPTIONS:	DRAWN BY:	CHRISTOPHER FERRARA	12-14-09	50 Indel Ave. P.O. Rancocas, NJ 08073-0438	
HIGH PRESSURE	CHECKED:	SAL NEGRO	12-14-09		
STAINLESS STEEL	ENGINEER:	-	-		
-	APPROVED:	SAL NEGRO	12-14-09		
DWG NO.:				-	SCALE: N/A
					SHEET: 1 OF 1

INSTALLATION DATA - S.S. LB 80 (L)

TOP VIEW



NOTES:

1. CONTRACTOR TO PROVIDE MINIMUM 8" CLEARANCE AROUND UNIT FOR SERVICE
2. WEIGHT OF UNIT: 750 LBS = LIVE LOAD

SEISMIC DATA AND CALCULATIONS

SHEAR LOAD GRADE 5 1/4" BOLT 2280 PSI

SEISMIC LOAD (0.50)(750) = 375 LBS

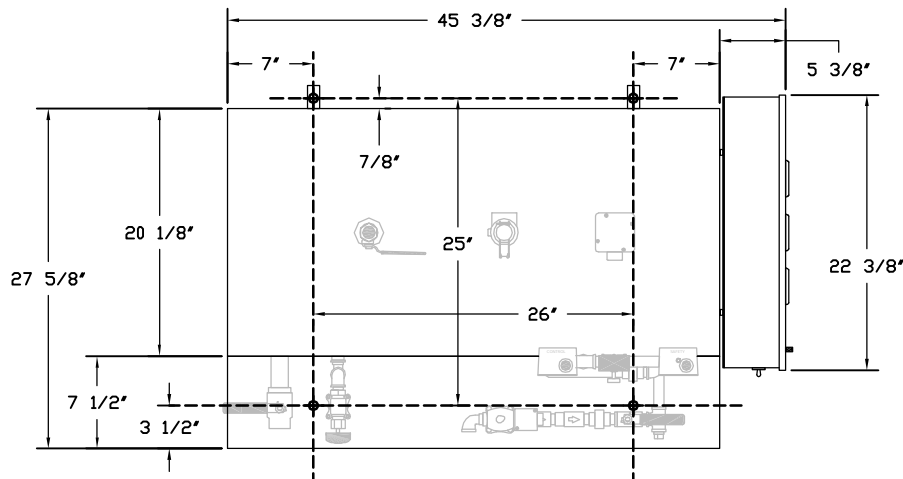
MAXIMUM SHEAR LOAD ON ONE BOLT
 $375/4 = 93.75$ PSI

FORMULA LATERAL FORCE
 $F_p = C_p W_p$

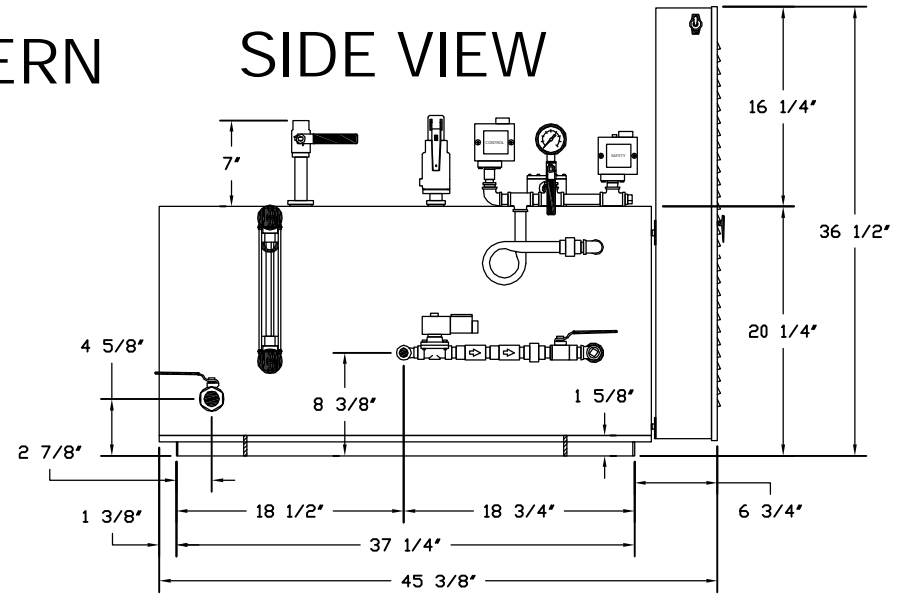
VERTICAL C_p FULL LOAD = 1

19 of 27

TOP VIEW - BOLT DOWN PATTERN



SIDE VIEW

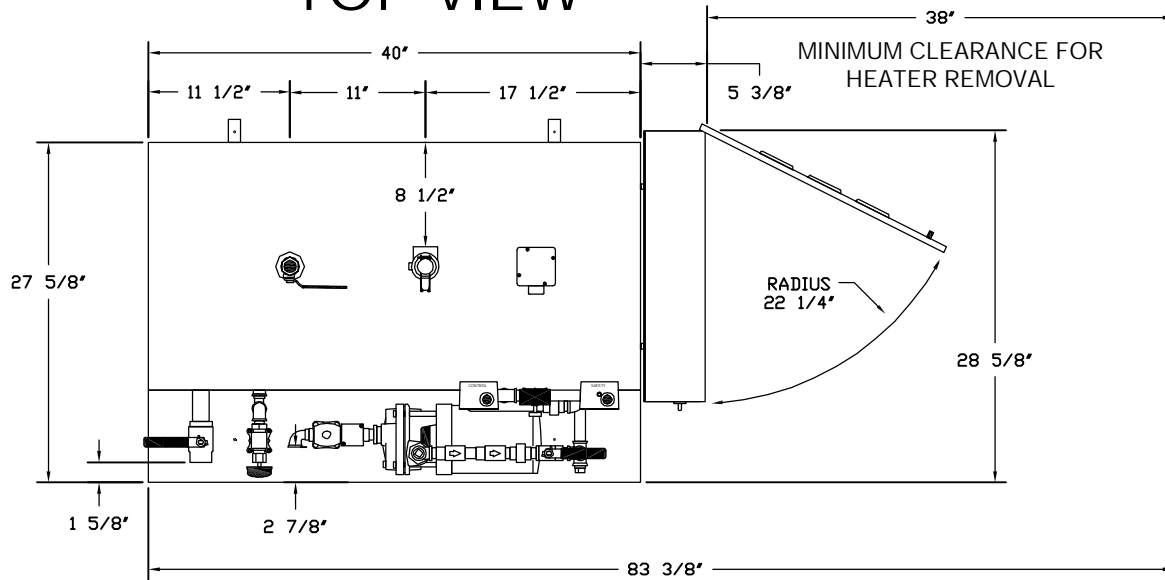


This drawing and all information therein are the property of Electro-Steam Generator Corp. and shall not be disclosed, in whole or in part, to any third party without prior permission of Electro-Steam Generator Corp.

DRAWING TITLE: (INSTALLATION DATA) S.S. LB 80 (L)		MODEL UNIT: S.S. LB 80		ELECTRO-STEAM GENERATOR CORP.	
DESCRIPTIONS:	DRAWN BY:	CHRISTOPHER FERRARA	12-15-09	50 Indel Ave. P.O. Rancocas, NJ 08073-0438	
STAINLESS STEEL	CHECKED:	CHRISTOPHER FERRARA	12-15-09		
LOW PRESSURE	ENGINEER:	-	-		
-	APPROVED:	SAL NEGRO	12-15-09		
DWG NO.:			SCALE: N/A		SHEET: 1 OF 1

INSTALLATION DATA - S.S. LB 80 (H)

TOP VIEW



NOTES:

- CONTRACTOR TO PROVIDE MINIMUM 8" CLEARANCE AROUND UNIT FOR SERVICE
- WEIGHT OF UNIT: 750 LBS = LIVE LOAD

SEISMIC DATA AND CALCULATIONS

SHEAR LOAD GRADE 5 1/4" BOLT 2280 PSI

SEISMIC LOAD (0.50)(750) = 375 LBS

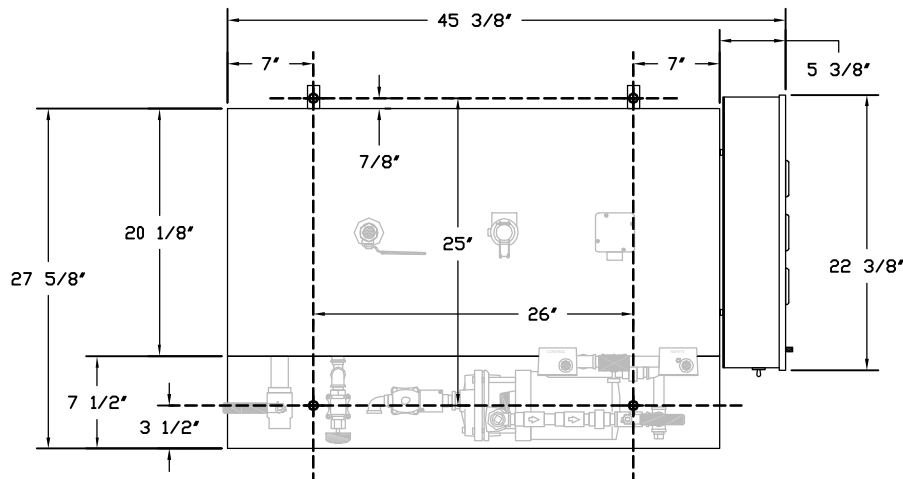
MAXIMUM SHEAR LOAD ON ONE BOLT
 $375/4 = 93.75$ PSI

FORMULA LATERAL FORCE
 $F_p = C_p W_p$

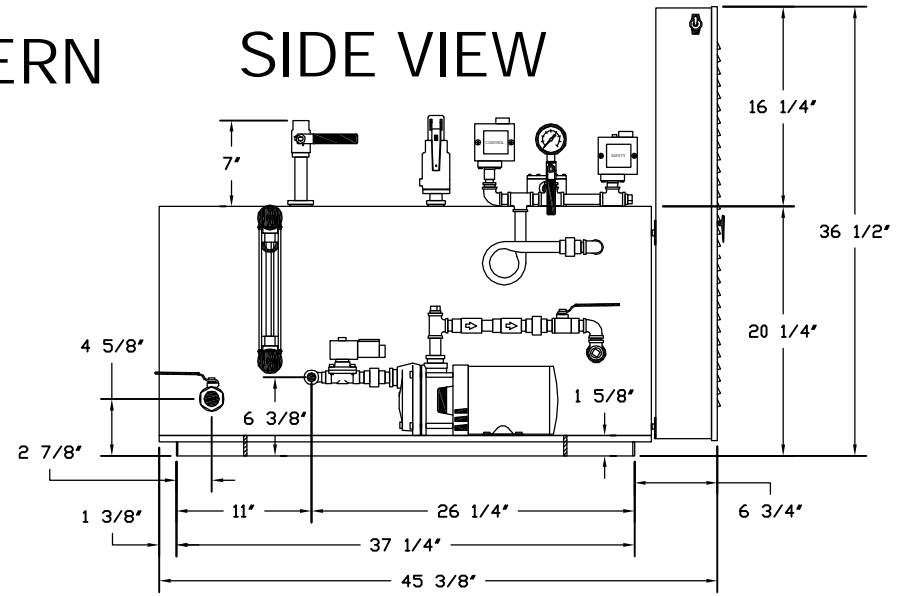
VERTICAL C_p FULL LOAD = 1

20 of 27

TOP VIEW - BOLT DOWN PATTERN

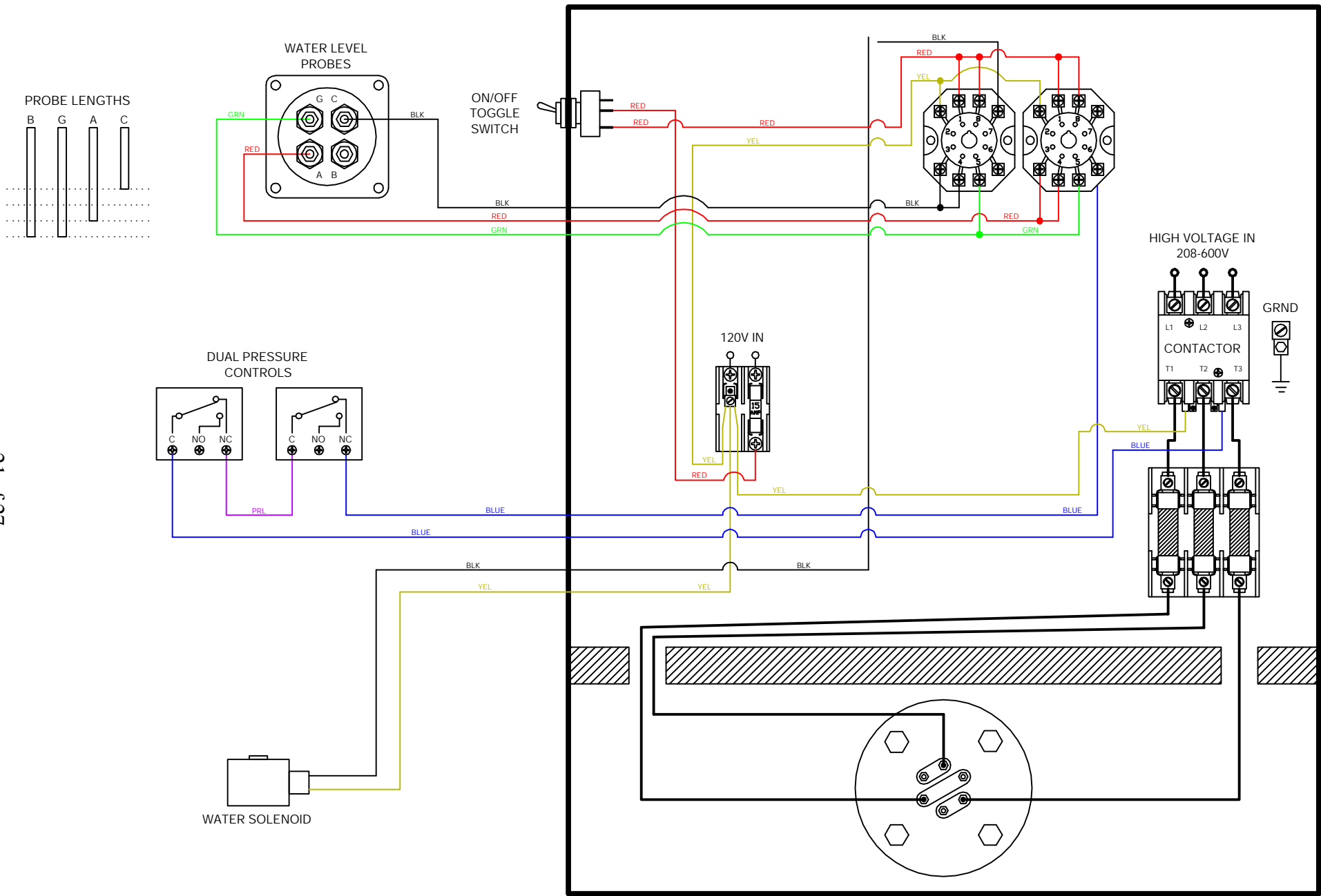


SIDE VIEW



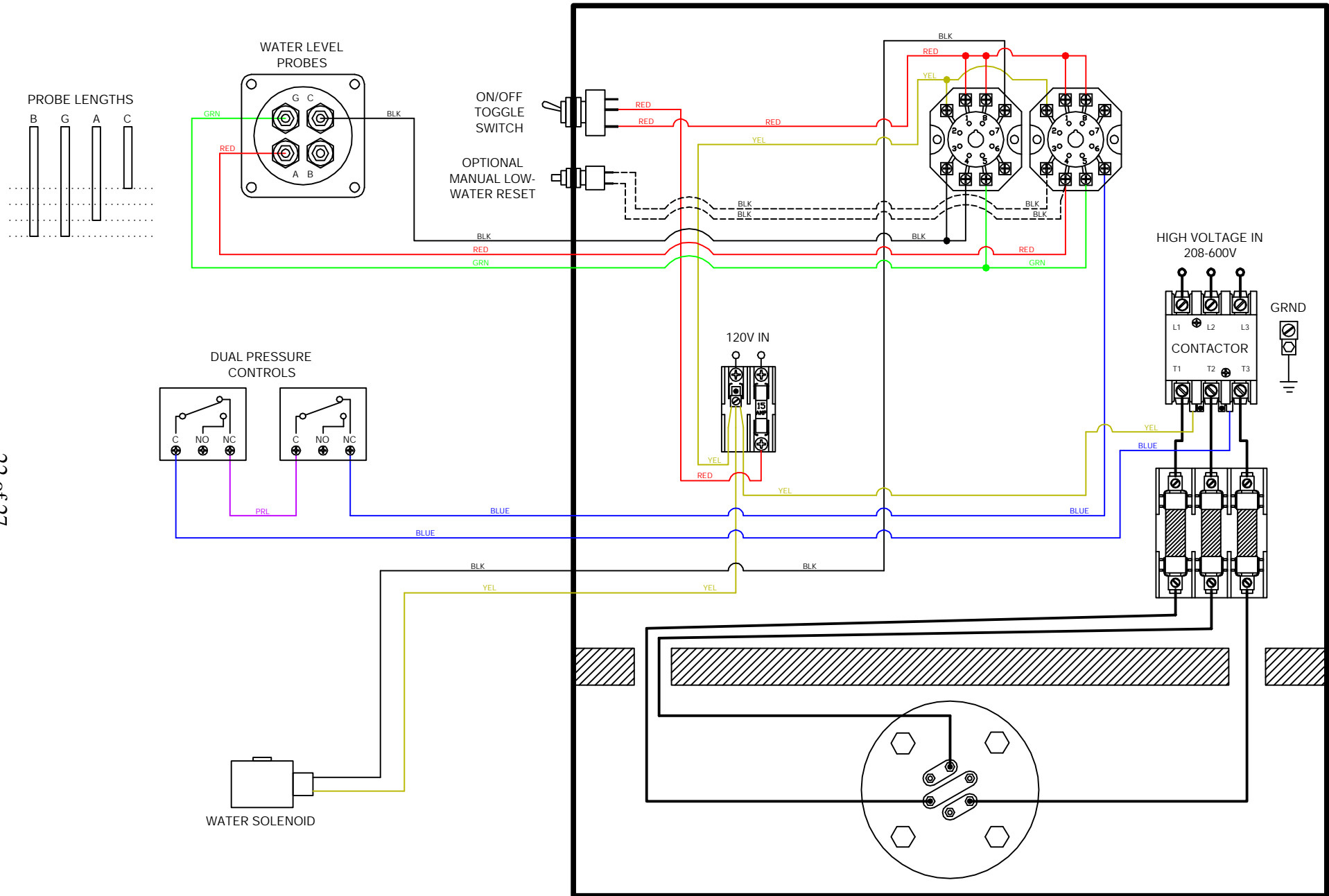
This drawing and all information therein are the property of Electro-Steam Generator Corp. and shall not be disclosed, in whole or in part, to any third party without prior permission of Electro-Steam Generator Corp.

DRAWING TITLE: (INSTALLATION DATA) S.S. LB 80 (H)		MODEL UNIT: S.S. LB 80		ELECTRO-STEAM GENERATOR CORP.	
DESCRIPTIONS:	DRAWN BY:	CHRISTOPHER FERRARA	12-15-09	50 Indel Ave. P.O. Rancocas, NJ 08073-0438	
STAINLESS STEEL	CHECKED:	CHRISTOPHER FERRARA	12-15-09		
HIGH PRESSURE	ENGINEER:	-	-		
-	APPROVED:	SAL NEGRO	12-15-09		
DWG NO.:			SCALE: N/A		SHEET: 1 OF 1

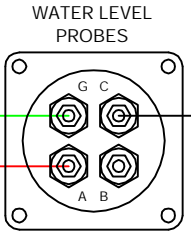
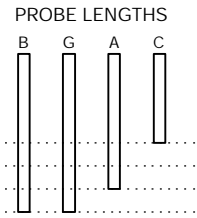


This drawing and all information therein are the property of Electro-Steam Generator Corp. and shall not be disclosed, in whole or in part, to any third party without prior permission of Electro-Steam Generator Corp.

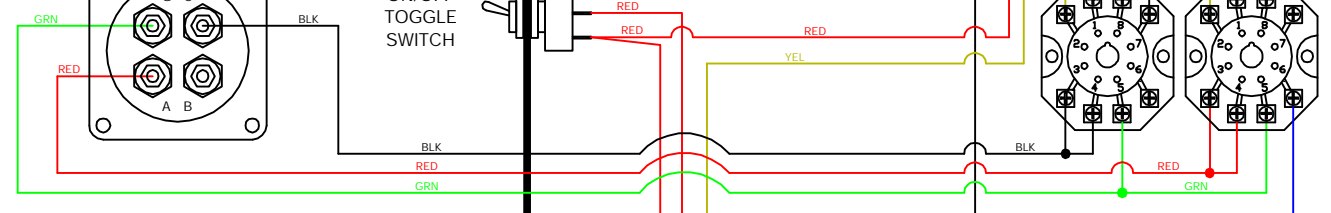
DRAWING TITLE: (S.S.) LB (L)		MODEL UNIT: LB 10-240		ELECTRO-STEAM GENERATOR CORP.	
DESCRIPTIONS:		DRAWN BY:	CHRISTOPHER FERRARA	09-12-07	50 Indel Ave. P.O. Rancocas, NJ 08073-0438
LOW PRESSURE		CHECKED:	SAL NEGRO	09-12-07	
-		ENGINEER:	CHRISTOPHER FERRARA	09-12-07	DWG NO.: 112-010-240-111100
-		APPROVED:	JOHN PARDINI	09-12-07	SCALE: N/A
					SHEET: 1 OF 1



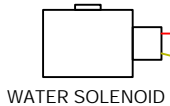
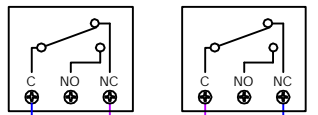
DRAWING TITLE: (S.S.) LB (L)(MLWR)		MODEL UNIT: LB 10-240		ELECTRO-STEAM GENERATOR CORP.	
DESCRIPTIONS:		DRAWN BY:	CHRISTOPHER FERRARA	09-12-07	50 Indel Ave. P.O. Rancocas, NJ 08073-0438 DWG NO.: 112-010-240-111120 SCALE: N/A SHEET: 1 OF 1
LOW PRESSURE		CHECKED:	SAL NEGRO	09-12-07	
MANUAL LOW-WATER RESET		ENGINEER:	CHRISTOPHER FERRARA	09-12-07	
		APPROVED:	JOHN PARDINI	09-12-07	



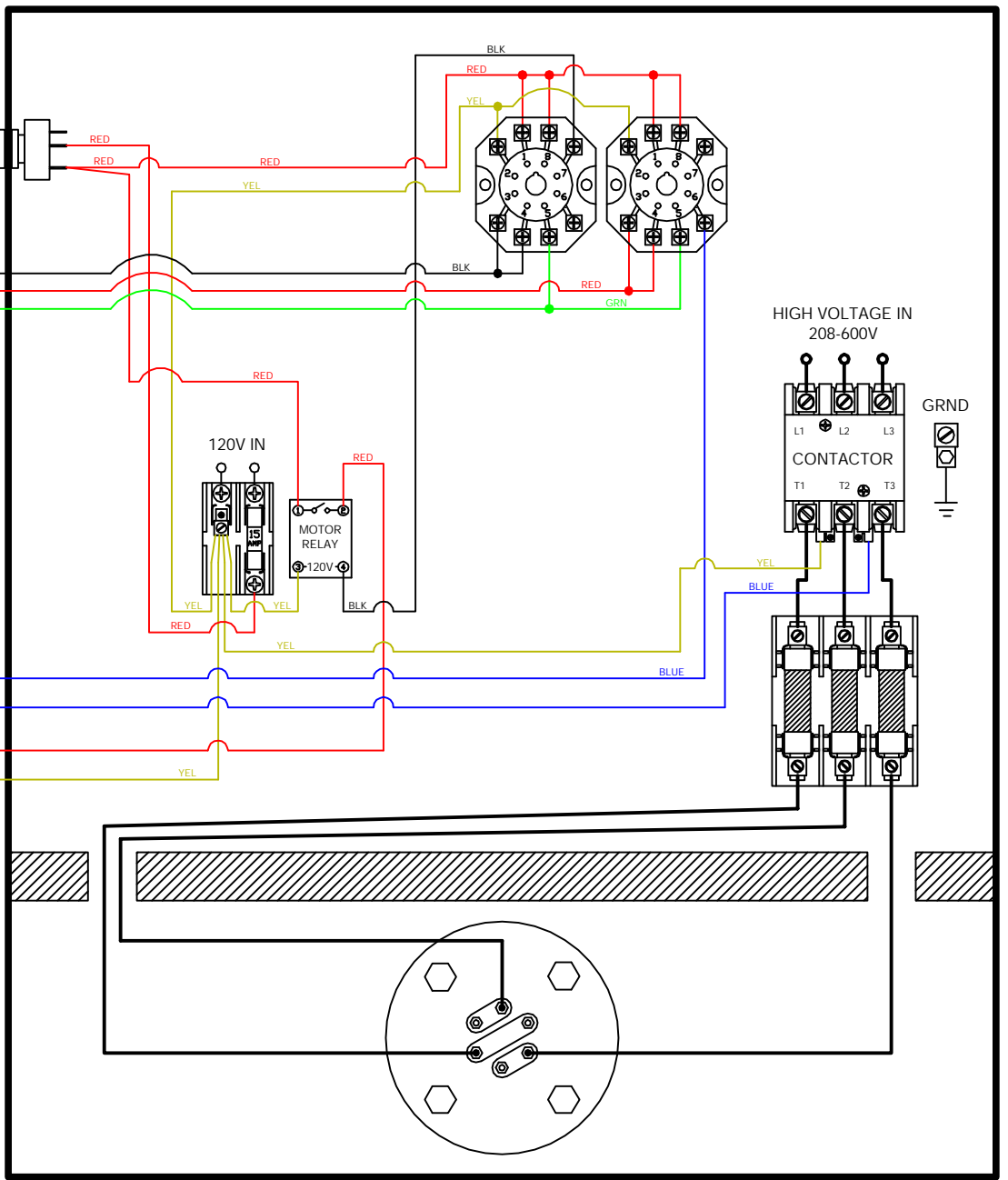
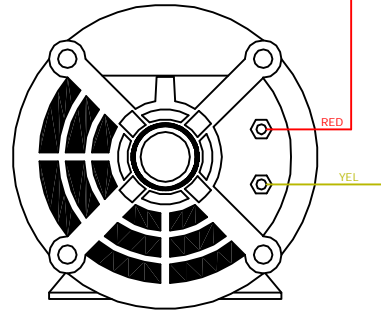
ON/OFF TOGGLE SWITCH



DUAL PRESSURE CONTROLS

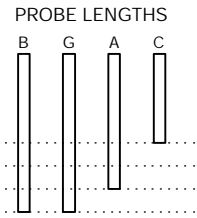


1/3HP PUMP & MOTOR
HIGH PRESSURE ONLY

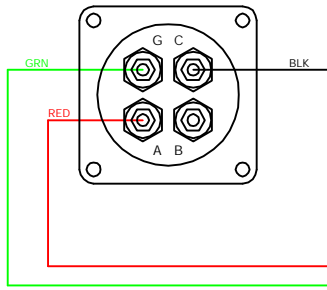


This drawing and all information therein are the property of Electro-Steam Generator Corp. and shall not be disclosed, in whole or in part, to any third party without prior permission of Electro-Steam Generator Corp.

DRAWING TITLE: (S.S.) LB (H)		MODEL UNIT: LB 10-240		ELECTRO-STEAM GENERATOR CORP.	
DESCRIPTIONS: HIGH PRESSURE		DRAWN BY: CHRISTOPHER FERRARA	09-12-07	50 Indel Ave. P.O. Rancocas, NJ 08073-0438	
-		CHECKED: SAL NEGRO	09-12-07	DWG NO.: 112-010-240-111200	SCALE: N/A
-		ENGINEER: CHRISTOPHER FERRARA	09-12-07	SHEET: 1 OF 1	
-		APPROVED: JOHN PARDINI	09-12-07		



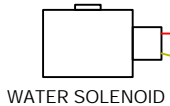
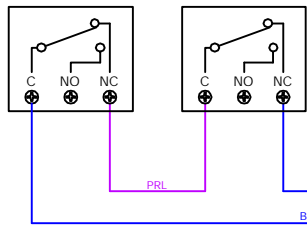
WATER LEVEL PROBES



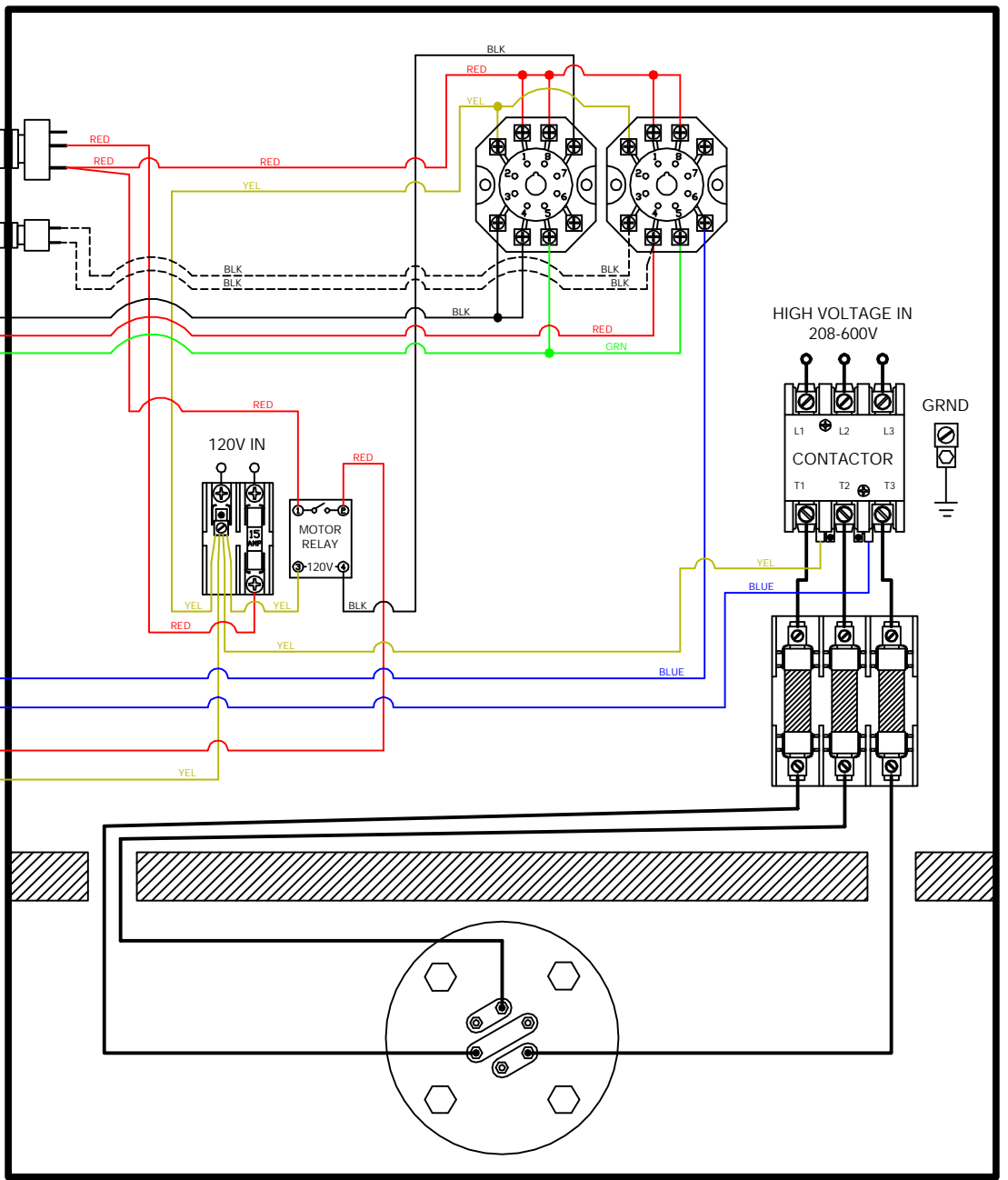
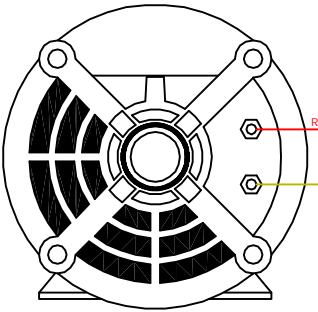
ON/OFF TOGGLE SWITCH

OPTIONAL MANUAL LOW-WATER RESET

DUAL PRESSURE CONTROLS



1/3HP PUMP & MOTOR HIGH PRESSURE ONLY



This drawing and all information therein are the property of Electro-Steam Generator Corp. and shall not be disclosed, in whole or in part, to any third party without prior permission of Electro-Steam Generator Corp.

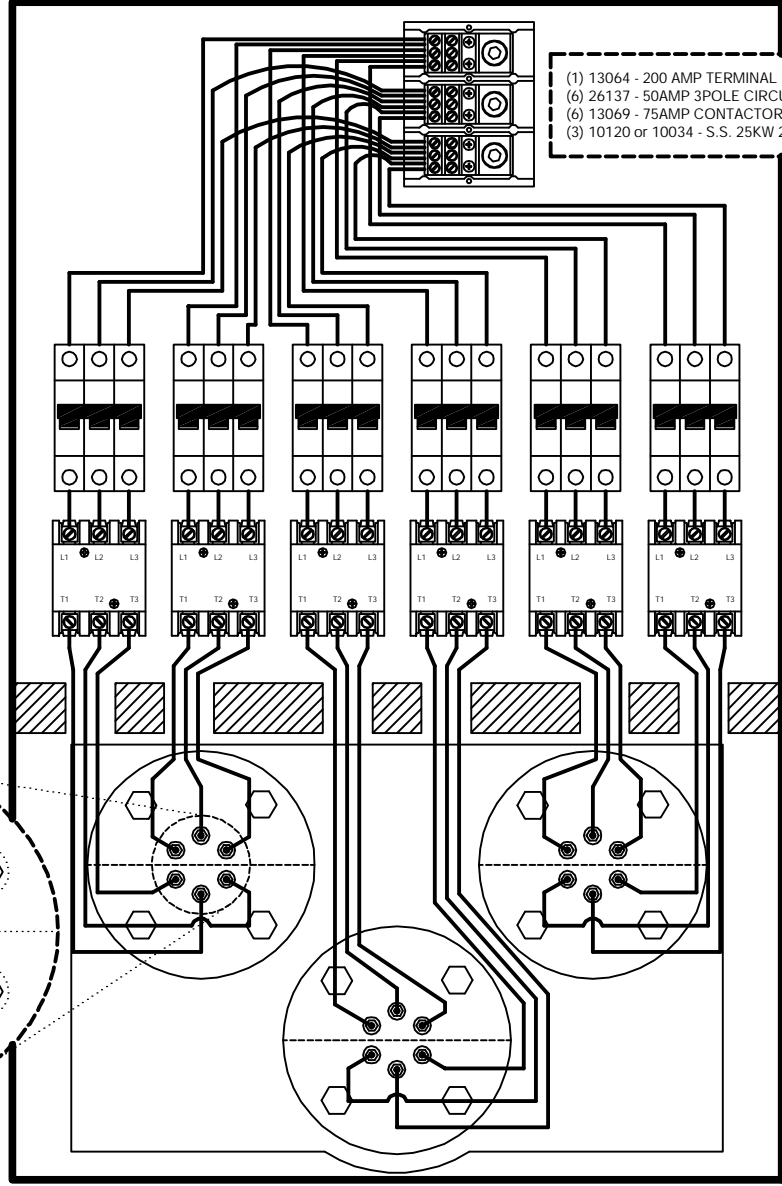
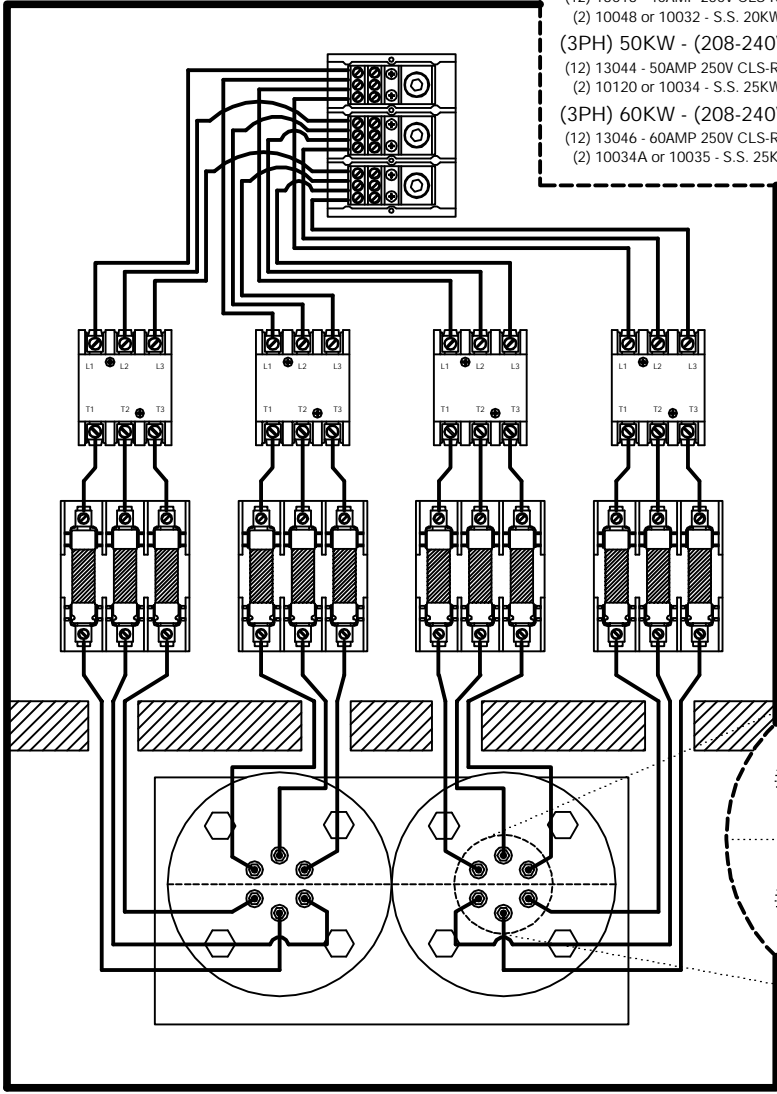
DRAWING TITLE: (S.S.) LB (H)(MLWR)		MODEL UNIT: LB 10-240		ELECTRO-STEAM GENERATOR CORP.	
DESCRIPTIONS:		DRAWN BY:	CHRISTOPHER FERRARA	06-12-09	50 Indel Ave. P.O. Rancocas, NJ 08073-0438
HIGH PRESSURE		CHECKED BY:	CHRISTOPHER FERRARA	06-12-09	
MANUAL LOW-WATER RESET		ENGINEER:	-	-	DWG NO.: 112-010-240-111220
-		APPROVED:	SAL NEGRO	06-12-09	SCALE: N/A
					SHEET: 1 OF 1

(3PH) 40-60KW (208-240V)

(3PH) 80KW - (208-240V)

- (1) 13064 - 200 AMP TERMINAL BLOCKS
- (4) 13069 - 75AMP CONTACTORS
- (4) 13056 - 60AMP 250V FUSE BLOCKS
- (3PH) 40KW - (208-240V)
- (12) 13013 - 40AMP 250V CLS-RK5 FUSES
- (2) 10048 or 10032 - S.S. 20KW 208 or 230V HEATERS
- (3PH) 50KW - (208-240V)
- (12) 13044 - 50AMP 250V CLS-RK5 FUSES
- (2) 10120 or 10034 - S.S. 25KW 208 or 230V HEATERS
- (3PH) 60KW - (208-240V)
- (12) 13046 - 60AMP 250V CLS-RK5 FUSES
- (2) 10034A or 10035 - S.S. 25KW 208 or 230V HEATERS

- (1) 13064 - 200 AMP TERMINAL BLOCK
- (6) 26137 - 50AMP 3POLE CIRCUIT BREAKERS
- (6) 13069 - 75AMP CONTACTORS
- (3) 10120 or 10034 - S.S. 25KW 208 or 230V HEATERS



HEATER COILS MUST GO FROM TOP TO BOTTOM.

25 of 27

This drawing and all information therein are the property of Electro-Steam Generator Corp. and shall not be disclosed, in whole or in part, to any third party without prior permission of Electro-Steam Generator Corp.

DRAWING TITLE: (HEATERS) S.S. LB 40-80 (3PH)(208-240V)		MODEL UNIT: LB 40-80		ELECTRO-STEAM GENERATOR CORP.	
DESCRIPTIONS: STAINLESS STEEL		DRAWN BY: CHRISTOPHER FERRARA	12.07.09	50 Indel Ave. P.O. Rancocas, NJ 08073-0438	
THREE PHASE HEATER WIRING		CHECKED BY: CHRISTOPHER FERRARA	12.07.09	DWG NO.:	SCALE: N/A
40-80KW 208-240V		ENGINEER:			SHEET: 1 OF 1
		APPROVED:	SAL NEGRO	12.07.09	

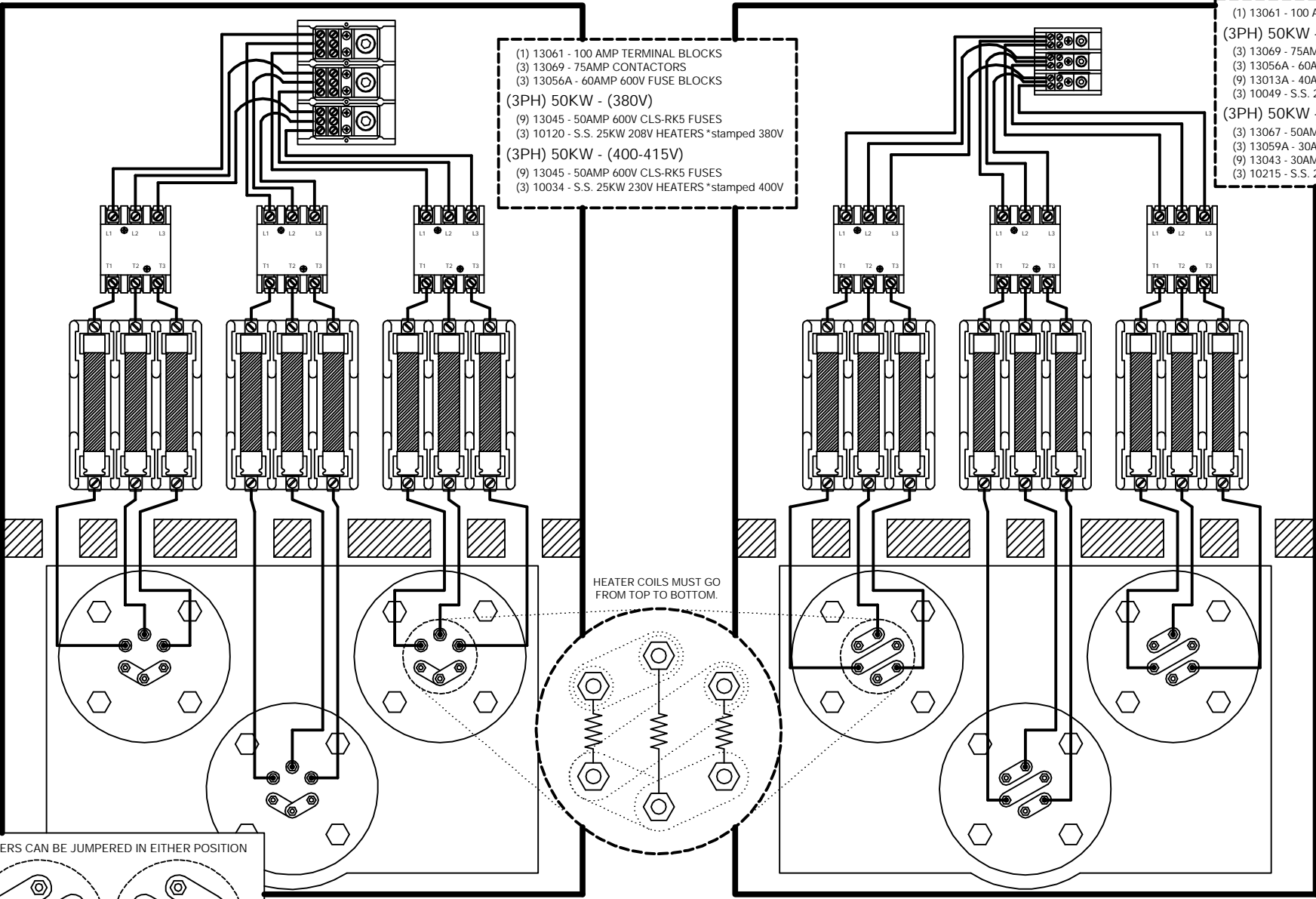
(3PH) 80KW - (380-425V)

(3PH) 80KW - (480-600V)

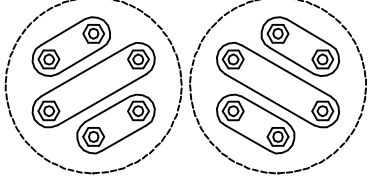
- (1) 13061 - 100 AMP TERMINAL BLOCKS
- (3) 13069 - 75AMP CONTACTORS
- (3) 13056A - 60AMP 600V FUSE BLOCKS
- (3PH) 50KW - (380V)
- (9) 13045 - 50AMP 600V CLS-RK5 FUSES
- (3) 10120 - S.S. 25KW 208V HEATERS *stamped 380V
- (3PH) 50KW - (400-415V)
- (9) 13045 - 50AMP 600V CLS-RK5 FUSES
- (3) 10034 - S.S. 25KW 230V HEATERS *stamped 400V

- (1) 13061 - 100 AMP TERMINAL BLOCKS
- (3PH) 50KW - (440-480V)
- (3) 13069 - 75AMP CONTACTORS
- (3) 13056A - 60AMP 600V FUSE BLOCKS
- (9) 13013A - 40AMP 600V CLS-RK5 FUSES
- (3) 10049 - S.S. 25KW 480V HEATERS
- (3PH) 50KW - (550-600V)
- (3) 13067 - 50AMP CONTACTORS
- (3) 13059A - 30AMP 600V FUSE BLOCKS
- (9) 13043 - 30AMP 600V CLS-RK5 FUSES
- (3) 10215 - S.S. 25KW 600V HEATERS

26 of 27



HEATERS CAN BE JUMPERED IN EITHER POSITION



This drawing and all information therein are the property of Electro-Steam Generator Corp. and shall not be disclosed, in whole or in part, to any third party without prior permission of Electro-Steam Generator Corp.

DRAWING TITLE: (HEATERS) LB 80 (3PH)(380-600V)		MODEL UNIT: LB 80		ELECTRO-STEAM GENERATOR CORP.	
DESCRIPTIONS:		DRAWN BY:	CHRISTOPHER FERRARA	12-15-09	50 Indel Ave. P.O. Rancocas, NJ 08073-0438
THREE PHASE HEATER WIRING		CHECKED:	CHRISTOPHER FERRARA	12-15-09	
380-425V		ENGINEER:	-	-	DWG NO.:
440-600V		APPROVED:	SAL NEGRO	12-15-09	SCALE: N/A
					SHEET: 1 OF 1

ELECTRO-STEAM GENERATOR CORPORATION TERMS AND CONDITIONS OF SALE

EXCLUSIVE AND ENTIRE: The following Standard Terms and Conditions are intended by the parties to govern all the purchases of equipment, parts or service from Seller, and together with the specifications provided or embodied herewith, represent the entire understanding of the parties without exception. All other terms and conditions are specifically rejected, and by proceeding with the transaction in any manner, both Seller and Buyer agree that these Standard Terms and Conditions shall control. The price charged by Seller is based on these Standard Terms and Conditions.

DOMESTIC TERMS

TERMS: Net 30 days. A "late payment" in the form of interest at the rate of 2% per month or a service charge of like amount will be levied on all late payments (the type of charge being consistent with the applicable local law). Invoices will be submitted when the equipment, part, service is supplied. Attention to these terms will eliminate delays in starting up any equipment or providing further service or parts. NOTE: Terms pending credit approval.

INTERNATIONAL TERMS

TERMS: Advanced payment (wire transfer, credit card, or cash in advance) or confirmed letter of credit.

TAXES: No taxes of any kind are included. All prices herein and/or contracts shall be subject to increase without notice by the amount of present or future sales or excise tax levied or charged, either by Federal, State or any other assessing agency.

CHANGES: Changes made after fabrication has begun shall be submitted in writing, signed by Buyer. Buyer agrees to pay the cost of any changes. The specifications and prices are subject to change without notice.

CLAIMS: Title passes to the Buyer upon delivery to the carrier, unless otherwise indicated. Safe delivery is the responsibility of the carrier. Damaged merchandise, if accepted, should be noted on the delivery receipt and on the freight bill before acceptance of shipment. Make claim promptly.

LOCAL CODES: All steam boilers are built in accordance with ASME miniature boiler codes. NOTE: It is the responsibility of the installer to conform to any state or local codes. If further inspection following modifications by the installer is required under state and local codes it is the responsibility of the local installer.

SEVERABLE AND INDEPENDENT PROVISION: WITHOUT LIMITING THE FOREGOING, IT IS EXPRESSLY UNDERSTOOD AND AGREED THAT EACH AND EVERY PROVISION OF THIS AGREEMENT THAT PROVIDES FOR A LIMITATION OF LIABILITY, DISCLAIMER OF WARRANTIES, OR EXCLUSION OF DAMAGES IS INTENDED BY THE PARTIES TO BE SEVERABLE AND INDEPENDENT OF ANY OTHER PROVISION AND TO BE ENFORCED AS SUCH, FURTHER, IT IS EXPRESSLY UNDERSTOOD AND AGREED THAT IN THE EVENT ANY REMEDY HEREUNDER IS DETERMINED TO HAVE FAILED ITS ESSENTIAL PURPOSE, ALL OTHER LIMITATIONS OF LIABILITY AND EXCLUSION OF DAMAGES SET FORTH HEREIN SHALL REMAIN IN FULL FORCE AND EFFECT. ALL SUCH PROVISIONS SHALL SURVIVE THE TERMINATION OF THIS AGREEMENT. NO ACTION, REGARDLESS OF FORM, ARISING OUT OF THE TRANSACTIONS OF THIS AGREEMENT MAY BE BROUGHT BY BUYER MORE THAN ONE YEAR AFTER THE CAUSE OF ACTION HAS ACCRUED.

WARRANTY: Seller warrants that the equipment, service, software, repair or parts supplied shall conform to the description. In the event that any part or parts, excepting expendable items such as, but not limited to, coil liners, thermocouples, refractories and other similar consumable items, that fail due to defects in material or workmanship within the first twelve (12) months of startup of equipment or eighteen (18) months after shipment, whichever occurs first, or in the case of service, repairs, or parts, within twelve (12) months of supplying such service, repair or part, Seller shall at its option, repair or replace EXW (Ex works), such defective part or parts. If the equipment, service, repair or part included software, Seller warrants, for a period of twelve (12) months of startup or eighteen (18) months after shipment, whichever occurs first, that the software supplied or serviced will meet its published functional specifications. Should software fail to meet the specifications, or be otherwise defective, Seller shall promptly correct errors or non-conformities. If correction is not possible, Seller shall replace defective software, or, at Seller's option, refund the purchase price paid for such software. The warranty obligations of Seller with respect to equipment not manufactured by Seller shall conform to and be limited to the warranty actually extended to Seller by its suppliers. Notice of a claim for alleged defective equipment must be given within fifteen (15) days after Buyer learns of the defect. The defective part or parts shall be returned to Seller, freight prepaid, unless otherwise directed by Seller. This warranty shall be exclusive and in lieu of any other warranties and Seller makes no warranty of merchantability or warranties of any other kind express or implied, including any implied warranty of fitness for a particular purpose which extend beyond the warranty as set forth above. Seller's liability for any and all losses and damages to Buyer resulting from defective parts of equipment shall in no event exceed the cost of repair or replacement, EXW of defective parts or equipment. IN NO EVENT SHALL SELLER BE LIABLE FOR INCIDENTAL, SPECIAL OR CONSEQUENTIAL DAMAGES OF ANY KIND OR NATURE WHATSOEVER.

PATENT INDEMNITY: Seller agrees to indemnify Buyer against any proven claim and assessed liability for infringement of any United States patent arising from the manufacture or sale of any apparatus furnished by Seller to Purchaser. THE FOREGOING STATES SELLER'S ENTIRE LIABILITY FOR CLAIMS OR PATENT INFRINGEMENT. Seller shall have no liability whatsoever if the claim of infringement arises out of Seller's compliance with Purchaser's specifications. Seller shall have no liability whatsoever if a claim of infringement is based upon the Purchaser's use of the equipment as part of a patented combination where the other elements of the combination are not supplied by Seller, or in the practice of a patented process. Where the specifications, process, design are supplied by Purchaser, then Buyer agrees to indemnify Seller in like manner.

PROPRIETARY RIGHTS: Unless otherwise stated herein all design, manufacturing processes, manufacturing information, vendor sources, know-how, equipment, tooling or other hardware, software, or information (collectively referred to as "resources") acquired or utilized by the Seller to produce the finished goods, and any intellectual property rights, including but not limited to patents, copyrights and trade secrets related in any way to the resources, are and shall hereinafter remain the exclusive property of the Seller, regardless of whether such resources are created solely by the Seller, or by Buyer's collaboration with the Seller, for example, where Seller utilizes Buyer's specifications to create resources, and the Buyer shall acquire or receive no rights or title therein or thereto as a result of this purchase whether or not the order provides for Seller's delivery of technical data, drawings or other information to the Buyer in addition to the finished goods. Unless Seller's prior written consent is given, in no event shall the Buyer permit such data, drawings or information to be: (1) disclosed to any third party other than the Buyer's customer; (2) used by the Buyer or the Buyer's customer for manufacture of like or similar goods; (3) used for purposes of duplicating or reverse-engineering Seller's proprietary designs or processes; or (4) used by a party other than the Buyer or the Buyer's customer for any purpose.

LIMITATION OF LIABILITY: SELLER'S TOTAL AGGREGATE LIABILITY (ARISING OUT OF OR IN CONNECTION WITH BUT NOT LIMITED TO ANY BREACH OF CONTRACT, NEGLIGENCE, TORT, LIQUIDATED DAMAGES, SPECIFIC PERFORMANCE, TERMINATION, CANCELLATION INCLUDING THE REPAYING OF THE CONTRACT PRICE OR PARTS THEREOF, FUNDAMENTAL BREACH, BREACH OF WARRANTIES, MISREPRESENTATION, NONPERFORMANCE, NONPAYMENT, OR ANY OTHER) WHETHER BASED IN CONTRACT, IN TORT, IN EQUITY, ON STATUTE, AT LAW OR ON ANY OTHER THEORY OF LAW, SHALL NOT EXCEED THE PAID CONTRACT PRICE. THE BUYER ACKNOWLEDGES THAT THE REMEDIES PROVIDED IN THIS CONTRACT ARE EXCLUSIVE AND IN LIEU OF ALL OTHER REMEDIES AVAILABLE TO THE BUYER AT LAW, IN CONTRACT, IN TORT, IN STATUTE OR IN EQUITY OR IN ANY OTHER THEORY OF LAWS.

INSURANCE: Buyer represents that they have a program of Insurance which adequately protects their interest, and that of their employees and agents, including damage to plant, property and equipment, personal injury of any kind, directly or indirectly related in any way to the equipment, service, repair or parts supplied by Seller. Accordingly, Buyer waives any claim against Seller for the foregoing, and on behalf of its Insurance Company, any right of subrogation in connection therewith.

U.S. EXPORT CONTROLS: All items furnished by Seller to Buyer in connection herewith shall at all times be subject to the export control laws and regulations of the U.S. including, but not limited to, 10 CFR Part 810 and U.S. Export Administration Regulations. Buyer agrees and gives assurance that no items, equipment, materials, service, technical data, technology, software or other technical information or assistance furnished by Seller, or any good or product resulting therefrom, shall be exported or re-exported by Buyer or its authorized transferees, if any, directly or indirectly, unless in accordance with applicable U.S. export laws and regulations. The aforesaid obligations shall survive any satisfaction, expiration, termination or discharge of any other contract obligations.

FREIGHT TERMS: F.O.B. Factory. Unloading and transportation to job site are at the Buyers expense.

INSTALLATION: No installation or job supervision charges are included.

RETURN OF MATERIAL: No goods will be accepted for return without a return authorization number from the factory. A 25% restocking fee is charged on returns, freight prepaid.

FORCE MAJEURE: If the performance of any part of this contract by Seller is rendered commercially impracticable by reason of any strike, fire, flood, accident, or any other contingency, the non-occurrence of which was a basic assumption of this contract including war, embargo, government regulation, or any unforeseen shutdown of major supply sources or other like causes beyond the control of Seller such as cannot be circumvented by reasonable diligence and without unusual expense, Seller shall be excused from such performance in whole or in part to the extent that it is prevented and for as long a period of time as these conditions render Seller's performance commercially impractical.

LAW: This Agreement shall be governed by the internal laws of the State of New Jersey, USA, and any claims arising hereunder shall be prosecuted in the US District Court having jurisdiction of causes arising in the District in which Seller is located. CISG (the Convention for the International Sale of Goods) is expressly rejected.