



*Stainless Double-Stack*

# ***LB-100 thru LB-240 (200-480kW)***

**USER, INSTALLATION, & MAINTENANCE MANUAL**

**STAINLESS STEEL MODELS - LB-100, LB-120, LB-150, LB-180, & LB-240**



## **IMPORTANT – READ ALL INSTRUCTIONS BEFORE OPERATING**

**NOTE:** It is the responsibility of the installer to conform to any state or local codes. If further inspection following modifications by the installer is required under state and local codes, it is the responsibility of the local installer.

Electro-Steam™ Generator Corp.  
50 Indel Avenue  
Rancocas, NJ 08073



Phone: 609-288-9071  
Toll Free: 800-634-8177  
sales@electrosteam.com

rev. 06222020

## BOILER DESCRIPTION & SAFETY FEATURES

### LITTLE BOY “LB-SERIES”

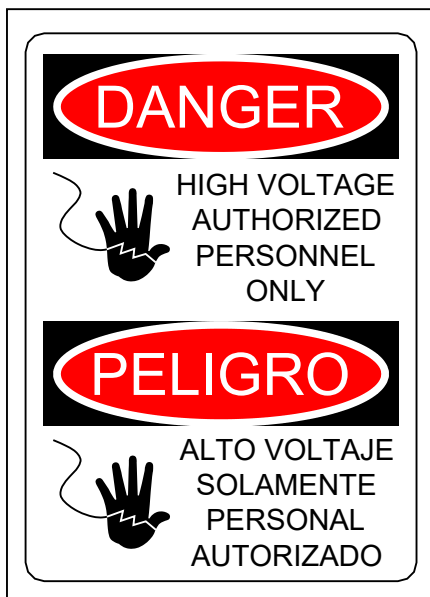
The Electro-Steam Generator design consists essentially of a high pressure chamber filled with water that is heated by one or more submerged resistance type electric heating elements. Automatic controls are provided to maintain the pre-set operating pressure and water level.

### BOILER SAFETY FEATURES INCLUDE:

- Dual (UL-353) **Pressure Switches (#12)** with High Pressure Safety Reset.
- Automatic (UL-353) **Low Water Cut-Off (LLCO)** with Optional **Manual Low-Water Reset (MLWR) (#3)**
- Overpressure **Safety Relief Valve (#18)**
- **All LB Series steam generators are built by an ASME Certificate holder in accordance with the ASME Boiler and Pressure Vessel Code Section I – Rules for Construction of Power Boilers (“ASME BPVC Section I”). They also comply with the requirements outlined in The National Board Synopsis of Boiler and Pressure Vessel Laws, Rules and Regulations (NB-370) RULES FOR CONSTRUCTION AND STAMPING section, which for many jurisdictions include but are not limited to ASME BPVC Section I, ASME CSD-1, ASME B31.1, and REGISTRATION WITH THE NATIONAL BOARD.**

**NOTE:** It is the responsibility of the installer to conform to any state or local codes. If further inspection following modifications by the installer is required under state and local codes, it is the responsibility of the local installer.

- The following **WARNING Labels** have been placed on this boiler for **YOUR SAFETY**. Failure to observe these warnings could lead to **PROPERTY DAMAGE, SEVERE INJURY, or DEATH:**



RETIGHTEN SIGHT GLASS  
BEFORE USE

**CAUTION**  
**THROW OFF MAIN**  
**POWER SWITCH**  
**BEFORE WORKING ON**  
**ELECTRICAL CABINET**

**CAUTION**  
**HOT**

REPLACE GLASS  
EVERY SIX MONTHS

CAUTION USE ELECTRICAL  
SUPPLY CONDUCTORS RATED  
FOR A MINIMUM OF 90°C

TERMINALS ARE SUITABLE  
FOR COPPER WIRE ONLY

U.L. 834

PAR. 4416

AMBIENT TEMPERATURE  
AROUND UNIT NOT TO  
EXCEED 105° F

# TABLE OF CONTENTS

<b>1.)</b>	<b>INSTALLATION INSTRUCTIONS</b> .....	<b>4</b>
<b>2.)</b>	<b>OPERATION &amp; SEQUENCE OF EVENTS</b> .....	<b>5</b>
<b>3.)</b>	<b>CLEANING &amp; MAINTENANCE</b> .....	<b>6-12</b>
<b>3.1)</b>	MANUAL "BLOW DOWN" .....	<b>6</b>
<b>3.2)</b>	CLEANING OR REPLACING HEATERS .....	<b>6</b>
<b>3.3)</b>	REPLACING GLASS GAUGE AND GLASS PACKINGS .....	<b>7</b>
<b>3.4)</b>	CHAMBER CLEANING & CHEMICAL TREATMENT .....	<b>8-9</b>
<b>3.5)</b>	PRESSURE CONTROL DATA SHEET .....	<b>10</b>
<b>3.6)</b>	SETTING THE PRESSURE CONTROLS .....	<b>11-12</b>
<b>4.)</b>	<b>CALCULATIONS &amp; DATA SHEETS</b> .....	<b>13-15</b>
<b>4.1)</b>	HEATER POWER & VOLTAGE RATINGS .....	<b>13</b>
<b>4.2)</b>	AMPERAGE CALCULATIONS .....	<b>13-14</b>
<b>4.3)</b>	ACTUAL POWER RATING CALCULATIONS .....	<b>14</b>
<b>4.4)</b>	STEAM CAPACITY CALCULATIONS .....	<b>15</b>
<b>5.)</b>	<b>DRAWINGS &amp; WIRING SCHEMATICS</b> .....	<b>16-24</b>
<b>5.1)</b>	PARTS LEGEND .....	<b>16</b>
<b>5.2)</b>	INSTALLATION DATA SHEET .....	<b>17</b>
<b>5.3)</b>	CONTROL WIRING SCHEMATICS .....	<b>18</b>
<b>5.4)</b>	HEATER WIRING SCHEMATICS .....	<b>19-24</b>
<b>5.4.1)</b>	(S.S.) LB (100-120KW) (208-240V) .....	<b>19</b>
<b>5.4.2)</b>	(S.S.) LB (150-180KW) (208-240V), (240KW) (380-400V) .....	<b>20</b>
<b>5.4.3)</b>	(S.S.) LB (100-120KW) (380-415V) .....	<b>21</b>
<b>5.4.4)</b>	(S.S.) LB (150-180KW) (380-415V) .....	<b>22</b>
<b>5.4.5)</b>	(S.S.) LB (100-120KW) (440-600V) .....	<b>23</b>
<b>5.4.6)</b>	(S.S.) LB (150-240KW) (440-600V) .....	<b>24</b>
<b>6.)</b>	<b>TERMS &amp; CONDITIONS</b> .....	<b>25</b>

# 1.) INSTALLATION INSTRUCTIONS

## LB-SERIES – STAINLESS STEEL HIGH PRESSURE PACKAGE (0-100 LBS. PSI)

### **IMPORTANT – READ ALL INSTRUCTIONS BEFORE OPERATING**

**Important – Set unit perfectly level, and as close as possible to the steam vessel or appliance it will operate. For generator measurements, refer to Installation Data Drawing attached. For interpretation of numbered items, refer to Parts Legend Drawing attached.**

**NOTE: Ambient temperature around this unit must not exceed 104°F or 40°C.**

### **CONNECTIONS:**

Periodically check all plumbing and electrical connections for tightness; this should also be done before initial start-up.

### **ELECTRICAL:**

**This generator must be connected to FOUR disconnect switches (one per Louvered Electrical Cabinet #1) by a licensed electrician in accordance with N.E.C. and your local codes with the proper size wire, protected by fuses or circuit breakers – Voltage, KW, and Phase requirement are marked on the nameplate.**

### **WATER SUPPLY:**

Connect D.I. or R.O. purity water line to **Water Inlet #6.**

**Purity Range:** AT LEAST 1 MEG/OHM per CM

**Temperature Range:** 32°F – 140°F or 0°C – 60°C.

**Pressure Range:** 20PSI – 150PSI.

### **STEAM OUTLET:**

Connect **Steam Outlet Flange (#22)** to piece of equipment, vessel, room, or area to be operated by Electro Steam Generator(s).

### **SAFETY VALVE:**

Route the **Safety Valve (#18)** separately than the **Drain (#19)** to a high temperature drain **\*NO PVC**. Discharging pipe should never be smaller than the valve outlet and should be rigidly supported, placing no weight on the safety valve itself.

### **DRAIN:**

Route **Drain (#23)** separately than **Safety Valves (#18)** to a high temperature drain **\*NO PVC**.

### **STEAM TRAP:**

Route **Steam Trap (#24)** separately than **Safety Valves (#18)** to a high temperature drain **\*NO PVC**.

## 2.) OPERATION & SEQUENCE OF EVENTS

### IMPORTANT – READ INSTALLATION INSTRUCTIONS BEFORE OPERATING

1. Turn on water supply from the source to the Generator.
2. **OPEN** Steam Outlet for venting purposes.
3. Place main disconnect box in **ON** position.
4. Place **ON/OFF Switch (#2)** in **ON** position.
  - The **Water Solenoid (#7)** and **Pump (#8)** will engage and the chamber will begin to fill with water. As the water level rises, so will the **MERCIOD FLOAT SWITCH**. When the heaters are safely submerged, the **MERCIOD FLOAT SWITCH** will engage the contactors, supplying power to the heaters, causing steam pressure to accumulate.
  - The chamber will continue to fill with water until the **MERCIOD FLOAT SWITCH** disengages the **Water Solenoid (#7)** and **Pump (#8)**.
  - If the contactors still have not engaged at this time, you may need to press the **Safety Reset (#13)** on the “**Safety**” **Pressure Control (#12)**.
5. **CLOSE** Steam Outlet to build pressure.
  - Steam pressure will continue to rise until it reaches **80PSI**. This may take up to 25 minutes. At this time, the “**Control**” **Pressure Control (#12)** will cause the contactors to disengage. The pressure will drop to approximately **75PSI**, at which time the “**Control**” **Pressure Control (#12)** will cause the contactors to reengage, causing the pressure to rise again. The contactors will continue to cycle on and off during operation.
6. **OPEN** Steam Outlet when you are ready to use steam. The Generator is now fully operational and will produce steam until it is turned off.
  - As steam is exhausted, the water level will drop until the **MERCIOD FLOAT SWITCH** reengages the **Water Solenoid (#7)** and **Pump (#8)**, again filling the chamber with water. The **Water Solenoid (#7)** and **Pump (#8)** will continue to cycle on and off during operation.
7. To shut off the Generator, place **ON/OFF Switch (#2)** in **OFF** position. Pressure will drop naturally as the chamber cools, or the Generator may be drained manually through **Manual Drain (#19)**. (See Manual Blow Down 3.1)

**WARNING** – **HOT WATER** and **STEAM** under **HIGH PRESSURE** can lift drain pipes right off the ground and cause **SERIOUS INJURY**. Make sure drain pipe is **SECURE** and **CANNOT** move. The drain must be directed into a **HIGH TEMPERATURE** drain (**NO PVC**) or outside.

## 3.) CLEANING & MAINTENANCE

The following cleaning procedures are **HIGHLY RECOMMENDED** in order to keep your Steam Generator in the best operating condition at all times.

### 3.1) MANUAL “BLOW DOWN”

A Manual “Blow Down” is an easy way to **GREATLY** extend the life of your Steam Generator. Blow Downs should be done **AT LEAST TWICE A MONTH**.

**NOTE:** The best time to Blow Down your generator is after it has been running for some time, while it is still hot.

1. Place **Toggle Switch (#2)** in **OFF** position.
2. Allow pressure to drop between 10 and 20 PSI.
3. Open **Manual Drain (#19)** slowly, allowing **HOT WATER** and **STEAM** to blow out into the drain, cleaning out the generator.

**NOTE:** Blow Down your generator at any pressure you feel comfortable with. 10 to 20 PSI is only a recommendation. You may go higher or lower, but higher is always better.

**WARNING** – **HOT WATER** and **STEAM** under **HIGH PRESSURE** can lift drain pipes right off the ground and cause **SERIOUS INJURY**. Make sure drain pipe is **SECURELY STRAPPED** and **CANNOT** move. The drain must be directed into a **HIGH TEMPERATURE** drain (**NO PVC**).

### 3.2) CLEANING OR REPLACING HEATERS

Heaters are located inside the **Control Panel (#1)** below the controls, bolted into the chamber. If (3.4) Chamber Chemical/Acid Treatments are not regularly done, heaters must be taken out and inspected **AT LEAST ONCE A YEAR**, cleaned with wire brush, if needed, and reinstalled using a new gasket. If you are replacing or cleaning your heater elements:

1. Place main disconnect boxes and the **Toggle Switch (#2)** in the OFF position.
2. Make sure generator is cool and the **Pressure Gauge (#15)** reads 0 PSI.
3. Remove heater wires from heaters, using a 3/8” Socket.
4. Unbolt and remove heaters using a 1 1/16” Socket.  
**NOTE:** Heaters may be difficult to get out; you may need to use some sort of pry bar to get them loose.
5. Clean heaters with wire brush. If replacing, dispose of old heater(s).
6. Reinstall heaters with new gaskets.
7. Attach heater wires assuring proper wiring. \*Refer to Heater Wiring Schematics attached\*

**NOTE:** If you are replacing a heater because of a heater failure, there may be a problem with your **MERCIOD FLOAT SWITCH (#4)** and you may have another heater failure, if not corrected.

### 3.3) REPLACING GLASS GAUGE & GLASS PACKINGS

The **Sight Glass (#10)** gives the operator the ability to easily monitor the actual water level inside the chamber. If the **Sight Glass (#10)** gets clogged or is no longer functional, it can be very difficult to troubleshoot a problem.

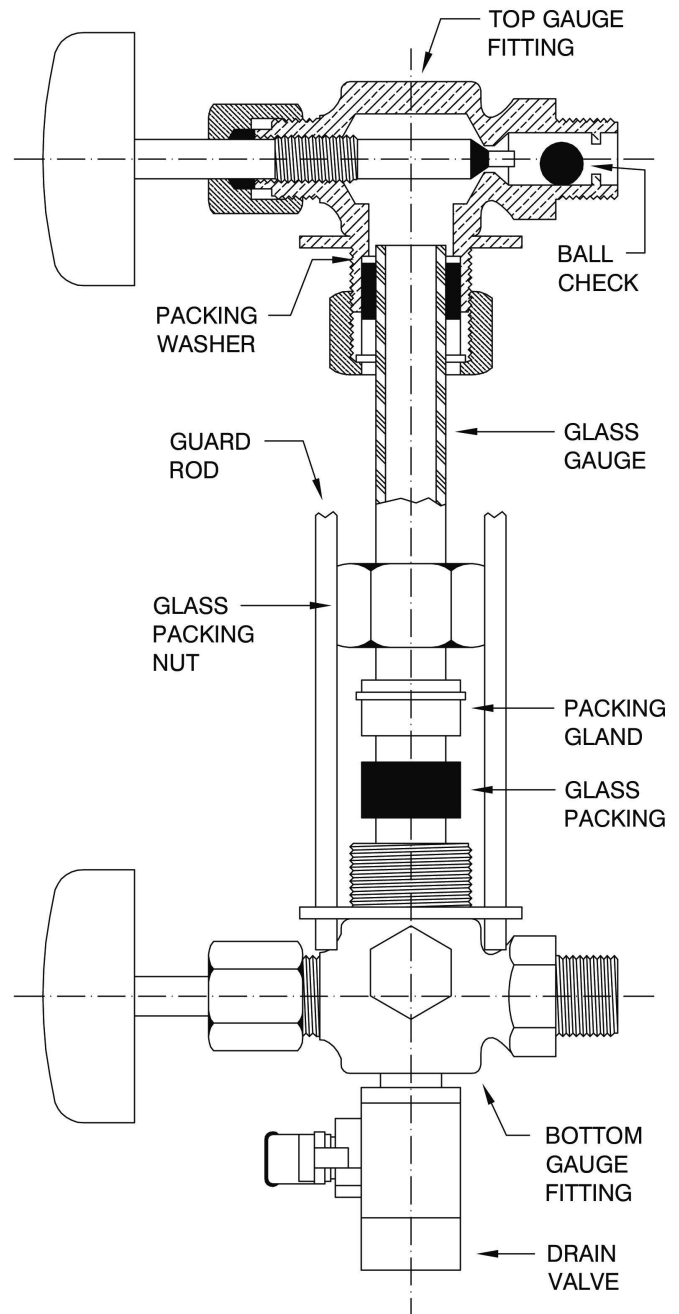
#### S.S. SIGHT GLASS (SEISMIC) GLASS GAUGE and GLASS PACKINGS MUST be replaced EVERY SIX MONTHS

The Seismic Sight Glass is equipped with **BALL CHECKS** in each **GAUGE FITTING**

#### INSTALLATION:

Only properly trained personnel should install and maintain water gauge glass and connections. Remember to wear safety gloves and glasses during installation. Before installing, make sure all parts are free of chips and debris.

1. Uninstall **GUARD RODS, GLASS GAUGE, and GLASS PACKINGS**. (you may need to rotate one of the **GAUGE FITTINGS** to remove **GLASS GAUGE**)
2. Slip a new **GLASS PACKINGS** on the new **GLASS GAUGE** about an inch from the bottom.
3. Now slip the following items through the top of **GLASS GAUGE** in the following order:
  - **PACKING GLAND** (facing down)
  - **GLASS PACKING NUT** (facing down)
  - **GLASS PACKING NUT** (facing up)
  - **PACKING GLAND** (facing up)
  - **GLASS PACKINGS** (inch down from top)
  - **PACKING WASHER**
4. Gently insert **GLASS GAUGE** into **GAUGE FITTINGS**. You may need to rotate **GAUGE FITTINGS** until vertically aligned, after **GLASS GAUGE** is in.
5. Carefully raise **GLASS GAUGE** about 1/16" from bottom and slide lower **GLASS PACKINGS** down until it makes contact with the **BOTTOM GAUGE FITTING**. (**DO NOT** allow **GLASS GAUGE** to remain in contact with any metal)
6. Carefully slide upper **GLASS PACKINGS** up as far as possible.
7. Hand tighten both **GLASS PACKING NUTS**, then tighten 1/2 turn more by wrench. Tighten only enough to prevent leakage. **DO NOT OVER TIGHTEN!** If any leakage should occur, tighten slightly, a quarter turn at a time, checking for leakage after each turn.
8. Reinstall **GUARD RODS**.



### 3.4) CHAMBER CHEMICAL/ACID TREATMENT

All Electric Steam Generator should be cleaned regularly. The chamber should be cleaned **AT LEAST ONCE A YEAR.**

#### Chamber Treatment Instructions:

1. Turn on generator, allowing pressure to climb to **10 to 20 PSI** on **Pressure Gauge (#15)**, and then shut off.
2. **“Blow Down”** Open **Manual Drain (#19)** slowly, allowing **HOT WATER** and **STEAM** to blow out into the drain.

**NOTE:** You may Blow Down your generator at any pressure you feel comfortable with. **10 to 20 PSI** is only a recommendation. You may go higher or lower, but higher is always better.

**WARNING** – **HOT WATER** and **STEAM** under **HIGH PRESSURE** can lift drain pipes right off the ground and cause **SERIOUS INJURY**. Make sure drain pipe is **SECURE** and **CANNOT** move. The drain must be directed into a **HIGH TEMPERATURE** drain (**NO PVC**).

3. Remove **Safety Valve (#18)**.

**WARNING** – There **MUST** be **NO PRESSURE** in the chamber when removing the Safety Valve, make sure the steam out and drain are open to assure chamber will remain depressurized. Be cautious of escaping steam from chamber while Safety Valve is removed.

4. Close **Manual Drain (#19)** and **Steam Out (#16)**; turn generator on until **Sight Glass (#10)** shows that it is 1/2 full, and then shut off.
5. Insert funnel into coupling, where **Safety Valve (#18)** used to be.
6. Pour a **1 Gallon** of **Sulfamic Acid** into funnel very slowly, being careful of fumes and venting while pouring.

**NOTE:** Solution can be obtained from any industrial chemical dealer.

**FOR FOOD APPLICATIONS:** Use FDA approved chemicals.

7. Remove funnel, reinstall **Safety Valve (#18)**, and verify **Steam Out (#16)** is closed; let solution set in generator for **1 HOUR**.
8. Turn on generator, allowing pressure to climb to **5 PSI** on **Pressure Gauge (#15)**, and then shut off.
9. Allow the pressure to drop to 0 PSI on **Pressure Gauge (#15)** naturally. **DO NOT** open **Steam Out (#16)** or **Manual Drain (#19)** until pressure is down.
10. Remove **Safety Valve (#18)**.



### 3.4) CHAMBER CHEMICAL/ACID TREATMENT (Continued)

11. Reinsert funnel, and fill generator completely to the top with clean water; let stand for an additional **1/2 HOUR**.

**NOTE:** Turning on the generator will not completely fill it to the top. Filling must be done manually through the safety valve coupling.

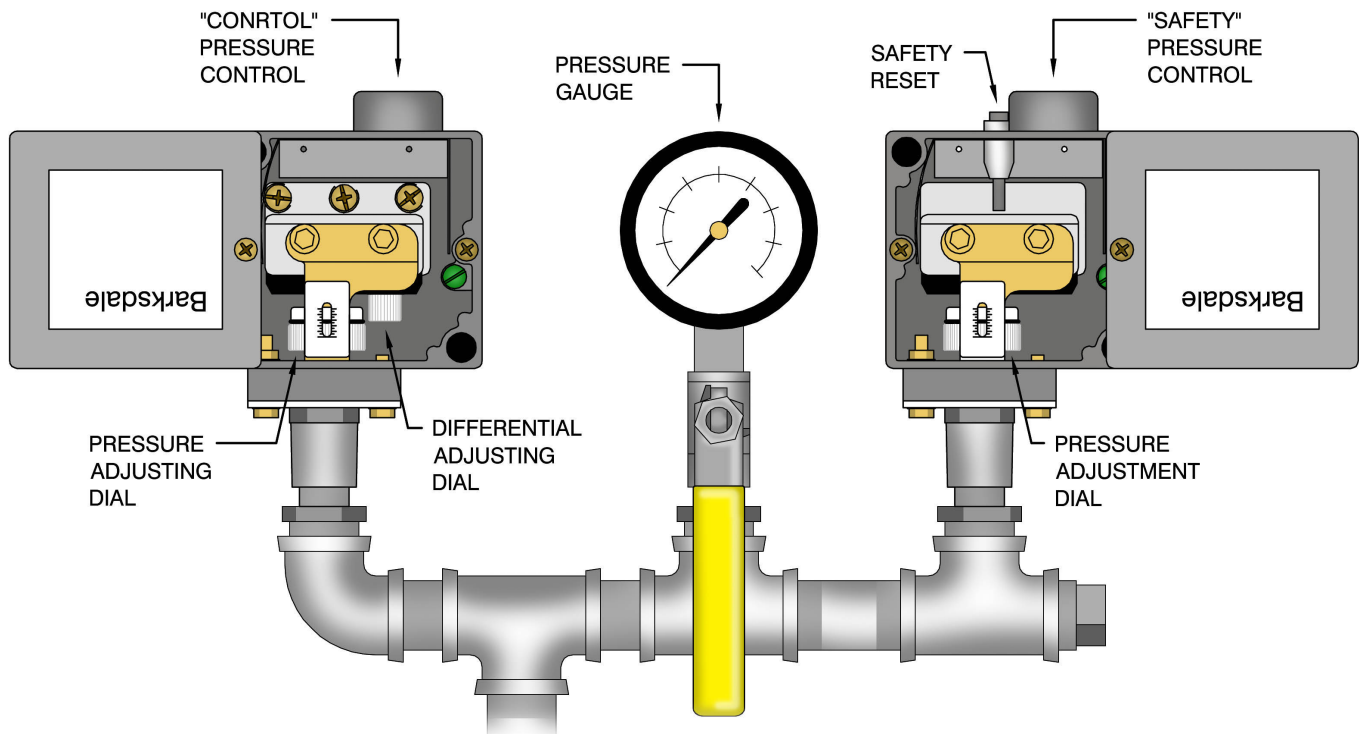
12. Open **Manual Drain (#19)** to drain generator.
13. Close **Manual Drain (#19)**; refill generator completely to the top with clean water and open **Manual Drain (#19)** to flush out generator completely.
14. Reinstall Safety Valve (#18) and close **Manual Drain (#19)**.
15. Turn on generator, allowing pressure to climb to **10 to 20 PSI** on **Pressure Gauge (#15)**, and then shut off.
16. **“Blow Down”** Open **Manual Drain (#19)** slowly, allowing **HOT WATER** and **STEAM** to blow out into the drain.

**NOTE:** You may Blow Down your generator at any pressure you feel comfortable with. **10 to 20 PSI** is only a recommendation. You may go higher or lower, but higher is always better.

**WARNING** – **HOT WATER** and **STEAM** under **HIGH PRESSURE** can lift drain pipes right off the ground and cause **SERIOUS INJURY**. Make sure drain pipe is **SECURE** and **CANNOT** move. The drain must be directed into a **HIGH TEMPERATURE** drain (**NO PVC**).

17. Your generator is now ready for normal use and operation.

### 3.5) PRESSURE CONTROL DATA SHEET



#### DEFINITIONS:

**“CONROL” PRESSURE CONTROL** – This pressure control should be the only one controlling the operating pressure of the generator.

**“SAFETY” PRESSURE CONTROL** – This pressure control is only used if the “Control” fails. It is always set higher than the “Control”; if the operating pressure is passed, The “Safety” will turn the heaters off.

**SAFETY RESET** – This reset is tripped when the “Safety” turns the heaters off. It must be manually pushed to turn the heaters back on. This lets the user know there was a problem. If it is tripped, the “Control” most likely failed.

**PRESSURE ADJUSTING DIAL** – These dials adjust the set pressure at which each pressure control will turn the heaters off.

**DIFFERENTIAL ADJUSTING DIAL** – This dial is only on the “Control”. When the “Control” turns the heaters off, the amount of pressure that is dropped before it turns the heaters back on (the differential) can be adjusted by this dial. This dial should never have to be adjusted, unless desired.

**PRESSURE GAUGE** – This tells the user what pressure is in the chamber. The pressure controls are set to this gauge.

### 3.7) SETTING THE PRESSURE CONTROLS

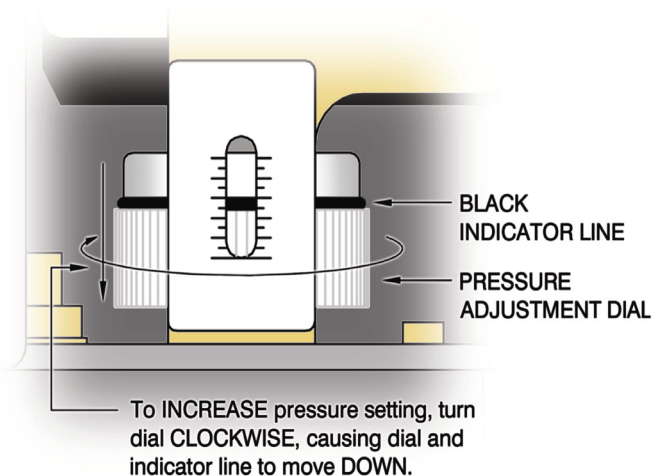
**WARNING** – DO NOT ALTER the original **FACTORY PRESSURE SETTINGS** of the **Pressure Switches** without contacting Electro-Steam Generator Corp. Every boiler is designed to produce a specific flow rate of steam at a set pressure. Altering the factory pressure settings will affect the performance of the machine, which may Hinder your process, **CAUSE DAMAGE** and potentially **VOID ANY WARRANTIES**.

**WARNING** – Contact Electro-Steam Generator Corp, **BEFORE** attempting to adjust the **Pressure Switches**. The Pressure switches should only be adjusted if one has been replaced or if the set points have drifted from their original factory set points.

**WARNING** – The **Pressure Switches** must be set while all circuits are live. **TO AVOID ELECTRICAL SHOCK, DO NOT TOUCH** the wires or the terminals in which they connect while setting the **Pressure Switches**.

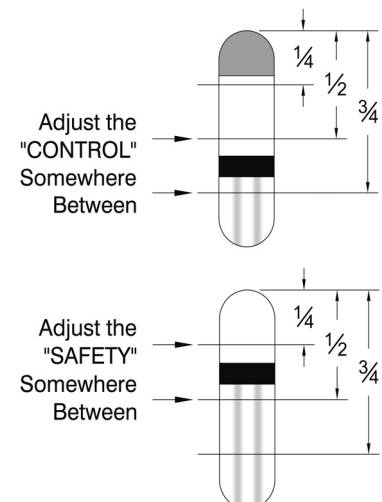
#### NOTES:

- Setting the pressure controls greatly relies on your ability to tell whether the contactor(s) are turning the heaters on or off. You should be able to hear the contactor(s), located inside the **Electrical Box (#1)**, click on and off. Familiarize yourself with this sound.
- The order in which the pressure controls must be set is the “Safety” and then the “Control”.
- In order to set the “Safety” you must keep the “Control” at a higher pressure setting than the Safety”
- Once the “Safety” is set, then you can lower the “Control” to its correct setting.
- To **INCREASE** the pressure setting, when looking down on pressure control, using your two index fingers, turn the **PRESSURE ADJUSTMENT DIAL CLOCKWISE**, causing the **BLACK INDICATOR LINE** to move **DOWN** the scale.
- To **DECREASE** the pressure setting, turn the dial **COUNTER CLOCKWISE**, causing the indicator line to move **UP** the scale.



#### SETTING INSTRUCTIONS:

1. Open the pressure control covers, as shown on previous page.
2. Adjust the **PRESSURE ADJUSTMENT DIAL** on the “**CONTROL**” so that the **BLACK INDICATOR LINE** is somewhere between  $\frac{1}{2}$  and  $\frac{3}{4}$  of the way down from the top.
3. Adjust the **PRESSURE ADJUSTMENT DIAL** on the “**SAFETY**” so that the **BLACK INDICATOR LINE** is somewhere between  $\frac{1}{4}$  and  $\frac{1}{2}$  of the way down from the top.
4. Close the **Steam Out (#16)** and turn on generator. When the contactor(s) click on, the pressure will rise. If contactor(s) do not click on right away, you may need to press **SAFETY RESET**. Continue to watch the **Pressure Gauge (#15)** until you hear the contactor(s) click off. This may take up to 20 minutes.



### 3.7) SETTING THE PRESSURE CONTROLS (Continued)

**WARNING** – **DO NOT** allow the pressure to reach **100 PSI**, the rating on the **Safety Valve (#18)**. If contactor(s) do not turn off before **95 PSI**, manually shut off generator, open the **Steam Out (#16)**, and **DECREASE** the pressure setting on the “**SAFETY**” pressure control. Repeat step #4.

- At this point the contactor(s) should be clicked off and you should be able to click them on and then off again by pressing the **SAFETY RESET**. This is a way to test if the “**SAFETY**” is still controlling the pressure, and not the “**CONTROL**”. While setting the “**SAFETY**” and the contactor(s) are off, if the **SAFETY RESET** does not cause the contactor(s) to click on and off again, **INCREASE** the setting on the “**CONTROL**”

**WARNING** – **DO NOT** allow the pressure to exceed **100 PSI**. If contactor(s) do not turn off before **95 PSI**, manually shut off generator, open the **Steam Out (#16)**, and **DECREASE** the pressure setting on the “**SAFETY**” pressure control. If you cannot get the “**SAFETY**” to control the pressure, it may need to be replaced.

Pressure Control Settings		
	“Control”	“Safety”
High Pressure (0-100 PSI)	80 PSI	85 PSI

- Open the **Steam Out (#16)** to exhaust some pressure. Continue pressing the **SAFETY RESET** until the contactor(s) click on and remain on. The pressure should eventually begin to rise. If it doesn't, throttle the **Steam Out (#16)** somewhere between closed and open until it does.
- Pay attention to what the pressure reads when the contactor(s) click off. If the pressure stopped **BELOW 85 PSI**, then **INCREASE** the pressure setting on the “**SAFETY**”. If the pressure stopped **ABOVE 85 PSI**, then **DECREASE** the pressure setting.
- Continue to watch the pressure go up and down, while adjusting the “**SAFETY**” and pressing the **SAFETY RESET**, until the pressure stops at **85 PSI**.
- At this point the “**SAFETY**” should be set at **85 PSI**, and the “**CONTROL**” should be set somewhere above **85 PSI**.
- Let the pressure drop below **80 PSI** and then press the **SAFETY RESET**, so that the contactor(s) click on. **DECREASE** the pressure setting on the “**CONTROL**” until the contactor(s) click off.
- Repeat Step 10 until you no longer need to press the **SAFETY RESET** for the contactor(s) to click on.
- Continue to watch the pressure go up and down, while adjusting the “**CONTROL**”, until the pressure stops at **80 PSI**.
- The Pressure Controls are now set.

**NOTE:** If at anytime the **SAFETY RESET** needs to be pressed after the pressure controls are set, either one of the controls are bad, the “**SAFETY**” is set too low, or the “**CONTROL**” is set too high.

## 4.) CALCULATIONS AND DATA SHEETS

### 4.1) HEATER POWER & VOLTAGE RATINGS

LB 100 thru 240 Model units use 4 or 6 heaters to meet the required (KW) POWER from the customer's specified INPUT VOLTAGE. Each heater comes in 3 different (KW) POWER RATINGS and 4 different VOLTAGE RATINGS

HEATER VOLTAGE RATINGS per INPUT VOLTAGE (VOLTS)														
Input Voltage	208	220	230	240	380	400	415	425	440	460	480	550	575	600
LB 100-180	208	230	230	230	208	230	230	230	480	480	480	600	600	600
LB 240	NA	NA	NA	NA	380	380	NA	NA	480	480	480	600	600	600

NOTE: 380-425V heaters are not usually rated for 380-425V. They are usually 208-240V heaters that have been re-stamped 380-425V and jumpered in series.

POWER RATINGS per MODEL		
MODEL UNIT	QUAN.	KW
LB-100	4	25
LB-120	4	30
LB-150	6	25
LB-180	6	30
LB-240	6	40

AVAILABLE HEATER RATINGS				
KW	VOLTAGES			
25	208	230	480	600
30	208	230	480	600
40		380	480	600

### 4.2) AMPERAGE CALCULATIONS

The INPUT VOLTAGE, PHASE, TOTAL POWER RATING, and HEATER VOLTAGE RATING are used to calculate the amperage.

THREE PHASE AMPERAGE FORMULAS	
208-240V & 440-600V	380-425V (using 208-240V heaters)
$I = \frac{P_T V_I}{V_H^2 \sqrt{3}}$	$I = \frac{P_T V_I}{(\sqrt{3} V_H)^2 \sqrt{3}}$

#### DEFINITIONS:

I = Amperage

P<sub>T</sub> = Total Power Rating

V<sub>I</sub> = Input Voltage

V<sub>H</sub> = Heater Voltage Rating

## 4.2) AMPERAGE CALCULATIONS (Continued)

<b>THREE PHASE AMPERAGE CALCULATIONS (AMPS)</b>														
<b>Input Voltage</b>	<b>208</b>	<b>220</b>	<b>230</b>	<b>240</b>	<b>380</b>	<b>400</b>	<b>415</b>	<b>425</b>	<b>440</b>	<b>460</b>	<b>480</b>	<b>550</b>	<b>575</b>	<b>600</b>
<b>LB-100</b>	278	240	251	262	169	146	151	155	110	115	120	88	92	96
<b>LB-120</b>	333	288	301	314	203	175	181	186	132	138	144	106	111	115
<b>LB-150</b>	416	360	377	393	254	218	226	232	165	173	180	132	138	144
<b>LB-180</b>	500	432	452	471	304	262	272	278	198	207	217	159	166	173
<b>LB-240</b>	NA	NA	NA	NA	365	384	NA	NA	265	277	289	212	221	231

## 4.3) ACTUAL POWER RATING CALCULATIONS

Because the **HEATER VOLTAGE RATINGS** only come in 4 different voltages, and there are so many different voltages in the field, the **TOTAL POWER RATING** is only completely accurate if the **VOLTAGE IN** is exactly equal to the **HEATER VOLTAGE RATING**. This means, in most cases, the **TOTAL POWER RATING** is not completely accurate. The **AMERAGE** and **INPUT VOLTAGE** can be used to calculate the **ACTUAL POWER RATING**.

### THREE PHASE ACTUAL POWER RATINGS FORMULA

$$P_A = I V_I \sqrt{3}$$

#### DEFINITIONS:

$P_A$  = Actual Power Rating

$I$  = Amperage

$V_I$  = Input Voltage

<b>ACTUAL POWER RATING CALCULATIONS (KW)</b>														
<b>Input Voltage</b>	<b>208</b>	<b>220</b>	<b>230</b>	<b>240</b>	<b>380</b>	<b>400</b>	<b>415</b>	<b>425</b>	<b>440</b>	<b>460</b>	<b>480</b>	<b>550</b>	<b>575</b>	<b>600</b>
<b>LB-100</b>	100	91.5	100	109	111	101	109	114	84	91.8	100	84	91.8	100
<b>LB-120</b>	120	110	120	131	134	121	130	137	101	110	120	101	110	120
<b>LB-150</b>	150	137	150	163	167	151	163	171	126	138	150	126	138	150
<b>LB-180</b>	180	165	180	196	200	182	195	205	151	165	180	151	165	180
<b>LB-240</b>	NA	NA	NA	NA	240	266	NA	NA	202	220	240	202	220	240

#### 4.4) STEAM CAPACITY CALCULATIONS

Steam Capacity Calculations are based on the impossible feed water temperature of 212°F.

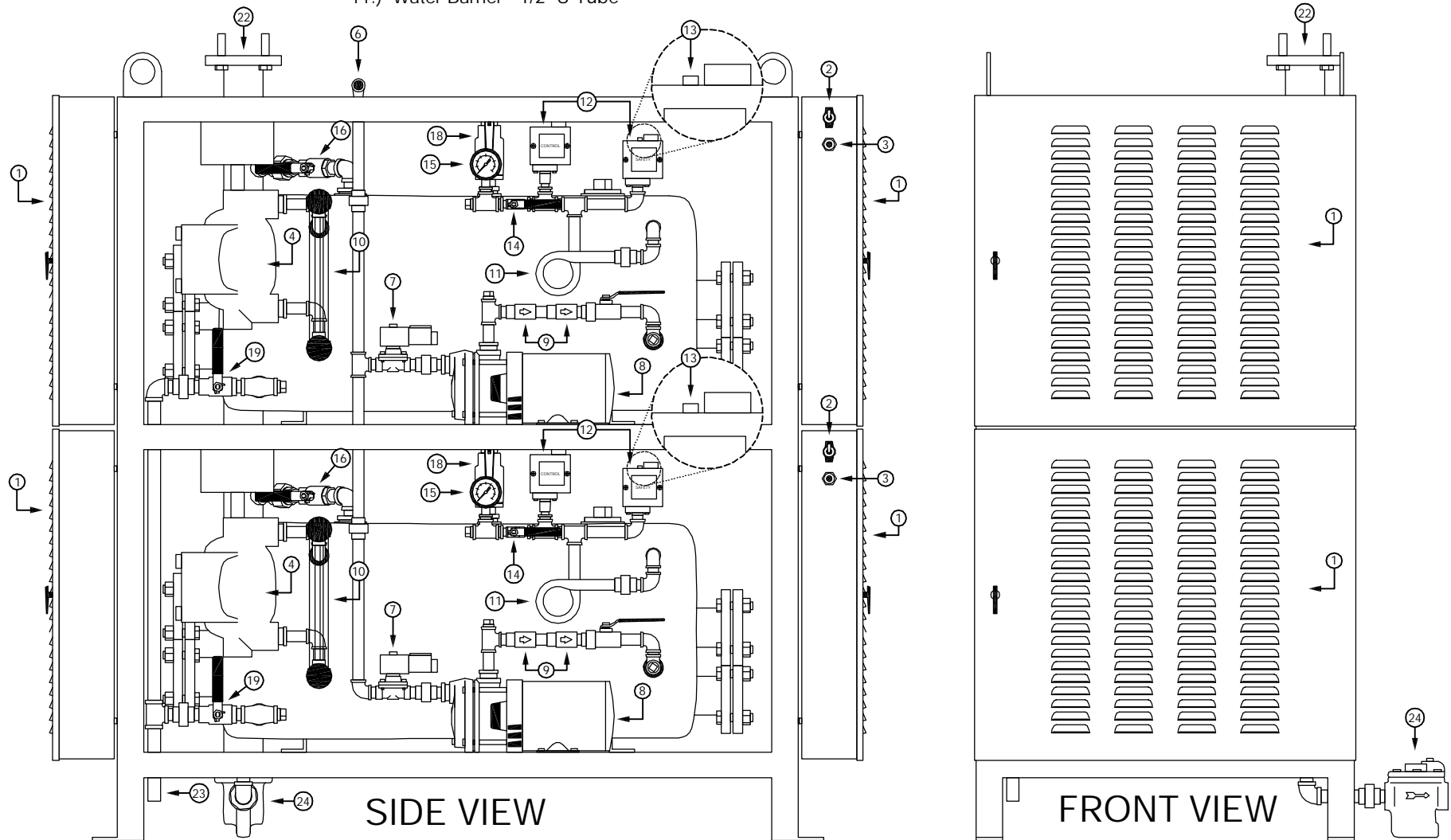
**WARNING** – Anything above 140°F will cause damage to water solenoid and pump.

<b>NET STEAM CAPACITY CALCULATIONS</b>				
<b>MODEL UNIT</b>	<b>Feed Water @ 212°F</b>	<b>Feed Water @ 140°F 90% of 212°F</b>	<b>Feed Water @ 100°F 80% of 212°F</b>	<b>Feed Water @ 60°F 75% of 212°F</b>
<b>LB-100</b>	<b>345.0 LB/hr 156.5 Kg/hr</b>	<b>310.5 LB/hr 140.8 Kg/hr</b>	<b>276.0 LB/hr 125.2 Kg/hr</b>	<b>258.8 LB/hr 117.4 Kg/hr</b>
<b>LB-120</b>	<b>414.0 LB/hr 187.8 Kg/hr</b>	<b>372.6 LB/hr 169.0 Kg/hr</b>	<b>331.2 LB/hr 150.2 Kg/hr</b>	<b>310.5 LB/hr 140.8 Kg/hr</b>
<b>LB-150</b>	<b>518.0 LB/hr 235.0 Kg/hr</b>	<b>466.2 LB/hr 211.5 Kg/hr</b>	<b>414.4 LB/hr 188.0 Kg/hr</b>	<b>388.5 LB/hr 176.2 Kg/hr</b>
<b>LB-180</b>	<b>621.0 LB/hr 281.7 Kg/hr</b>	<b>558.9 LB/hr 253.5 Kg/hr</b>	<b>496.8 LB/hr 225.3 Kg/hr</b>	<b>465.8 LB/hr 211.3 Kg/hr</b>
<b>LB-240</b>	<b>828.0 LB/hr 375.6 Kg/hr</b>	<b>745.2 LB/hr 338.0 Kg/hr</b>	<b>662.4 LB/hr 300.5 Kg/hr</b>	<b>621.0 LB/hr 281.7 Kg/hr</b>

# PARTS LEGEND - DOUBLE STACK LB 100-240 (H) MERCROID

- |  |                                   |  |                                     |
|--|-----------------------------------|--|-------------------------------------|
| 1.) Louvered Electrical Cabinet              | 6.) Water Inlet - 1/2" Connection | 12.) 0-100 PSI Pressure Controls       | 18.) 100 PSI Safety Relief Valve    |
| 2.) ON/OFF Switch                            | 7.) 1/2" Water Solenoid           | 13.) Reset on "Safety" Pressure Switch | 19.) Drain - 3/4" Ball Valve        |
| 3.) Manual Low-Water Reset (MLWR) (Optional) | 8.) 1/3 HP Pump & Motor           | 14.) 1/4" Ball Valve                   | 22.) Steam Connection - 6" Flange   |
| 4.) Mercoid Float Switch                     | 9.) 1/2" Check Valves             | 15.) 0-160 PSI Pressure Gauge          | 23.) Drain Connection - 3/4" Nipple |
|  | 10.) 5/8" x 10 1/2" Sight Glass   | 16.) Steam Out - 3/4" Ball Valve       | 24.) 3/4" Steam Trap                |
|  | 11.) Water Barrier - 1/2" U-Tube  |  |                                     |

16 of 25

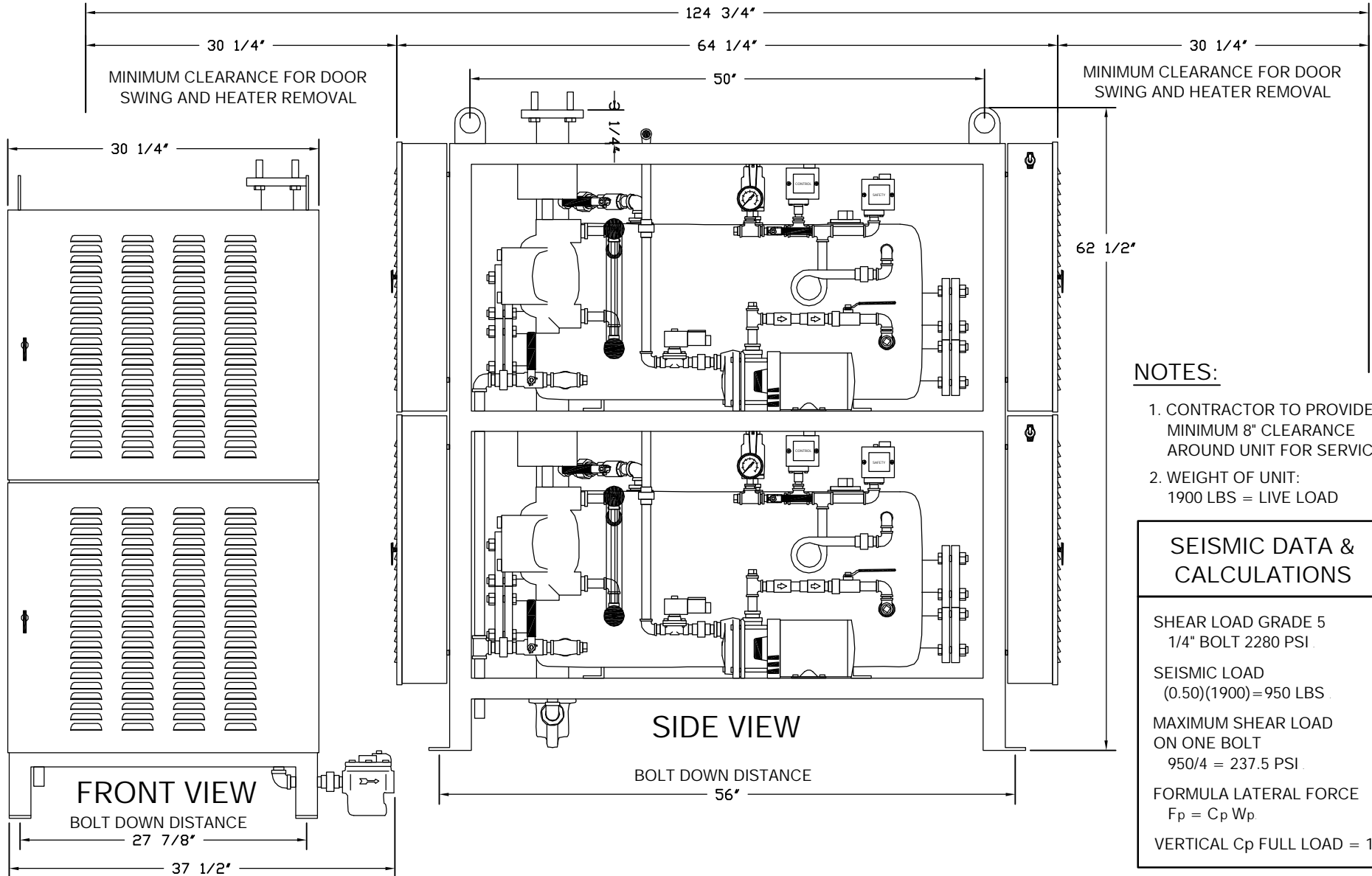


This drawing and all information therein are the property of Electro-Steam Generator Corp. and shall not be disclosed, in whole or in part, to any third party without prior permission of Electro-Steam Generator Corp.

DRAWING TITLE: (PARTS LEGEND) DOUBLE STACK LB 100-240 (H)		MODEL UNIT: LB 100-240		ELECTRO-STEAM GENERATOR CORP.	
DESCRIPTIONS: HIGH PRESSURE DOUBLE STACK MERCROID	DRAWN BY: CHRISTOPHER FERRARA	CHECKED: CHRISTOPHER FERRARA	07-01-09 07-01-09	50 Indel Ave. P.O. Rancocas, NJ 08073-0438	
	ENGINEER:			DWG NO.: 314-100-240-000217	SCALE: N/A
	APPROVED:	SAL NEGRO	07-01-09		SHEET: 1 OF 1



# INSTALLATION DATA - DOUBLE STACK LB 100-240



## NOTES:

1. CONTRACTOR TO PROVIDE MINIMUM 8" CLEARANCE AROUND UNIT FOR SERVICE
2. WEIGHT OF UNIT:  
1900 LBS = LIVE LOAD

## SEISMIC DATA & CALCULATIONS

SHEAR LOAD GRADE 5  
1/4" BOLT 2280 PSI

SEISMIC LOAD  
(0.50)(1900) = 950 LBS

MAXIMUM SHEAR LOAD  
ON ONE BOLT  
950/4 = 237.5 PSI

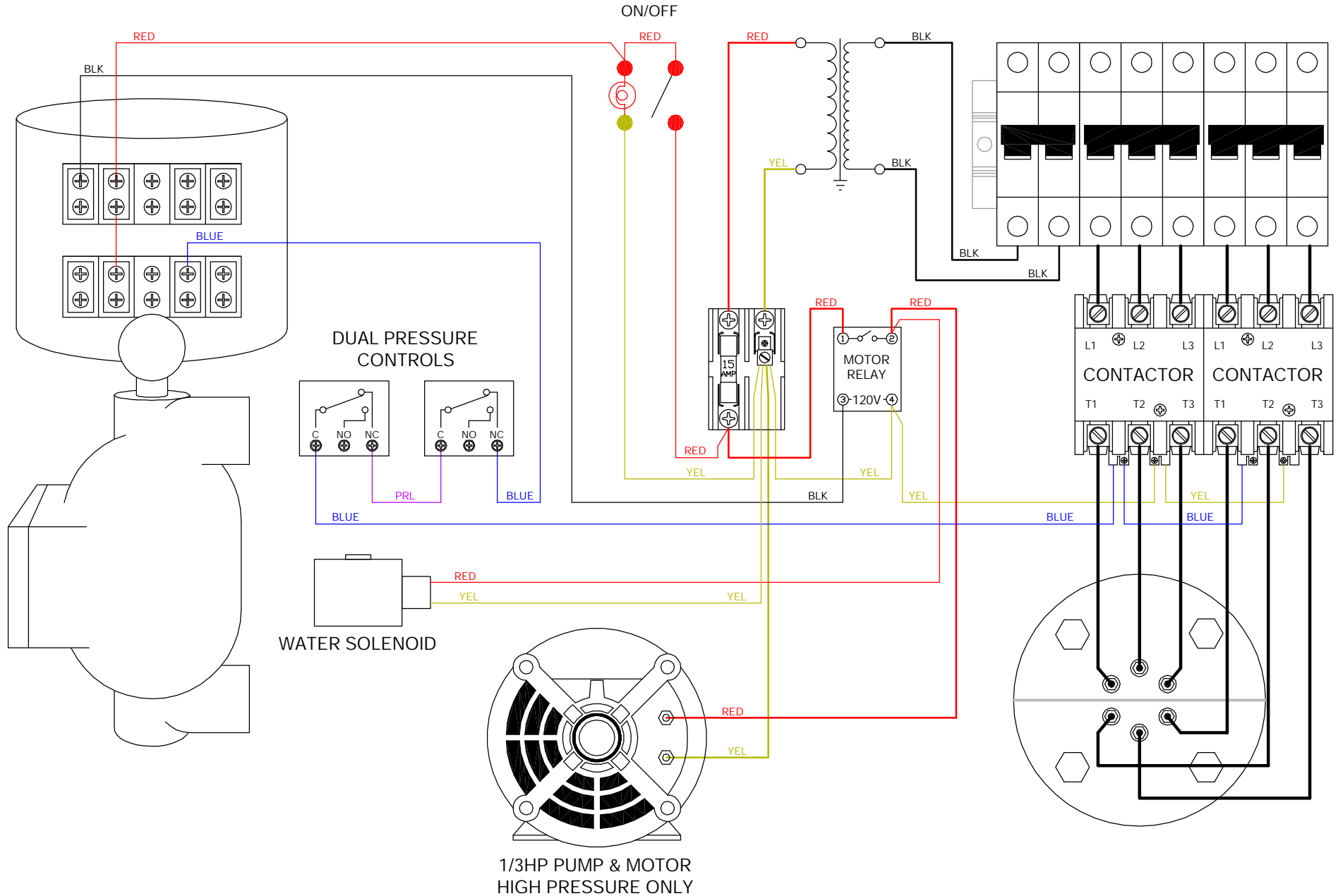
FORMULA LATERAL FORCE  
 $F_p = C_p W_p$

VERTICAL  $C_p$  FULL LOAD = 1

17 of 25

This drawing and all information therein are the property of Electro-Steam Generator Corp. and shall not be disclosed, in whole or in part, to any third party without prior permission of Electro-Steam Generator Corp.

DRAWING TITLE: (INST-DAT) DOUBLE STACK LB 100-240 MERCOID			MODEL UNIT: LB 100-240	<b>ELECTRO-STEAM GENERATOR CORP.</b>	
DESCRIPTIONS: DOUBLE STACK MERCOID	DRAWN BY: CHRISTOPHER FERRARA	CHECKED: CHRISTOPHER FERRARA	07-01-09	50 Indel Ave. P.O. Rancocas, NJ 08073-0438	
	ENGINEER: -	APPROVED: SAL NEGRO	07-01-09	DWG NO.: 414-100-240-000217	SCALE: N/A
					SHEET: 1 OF 1

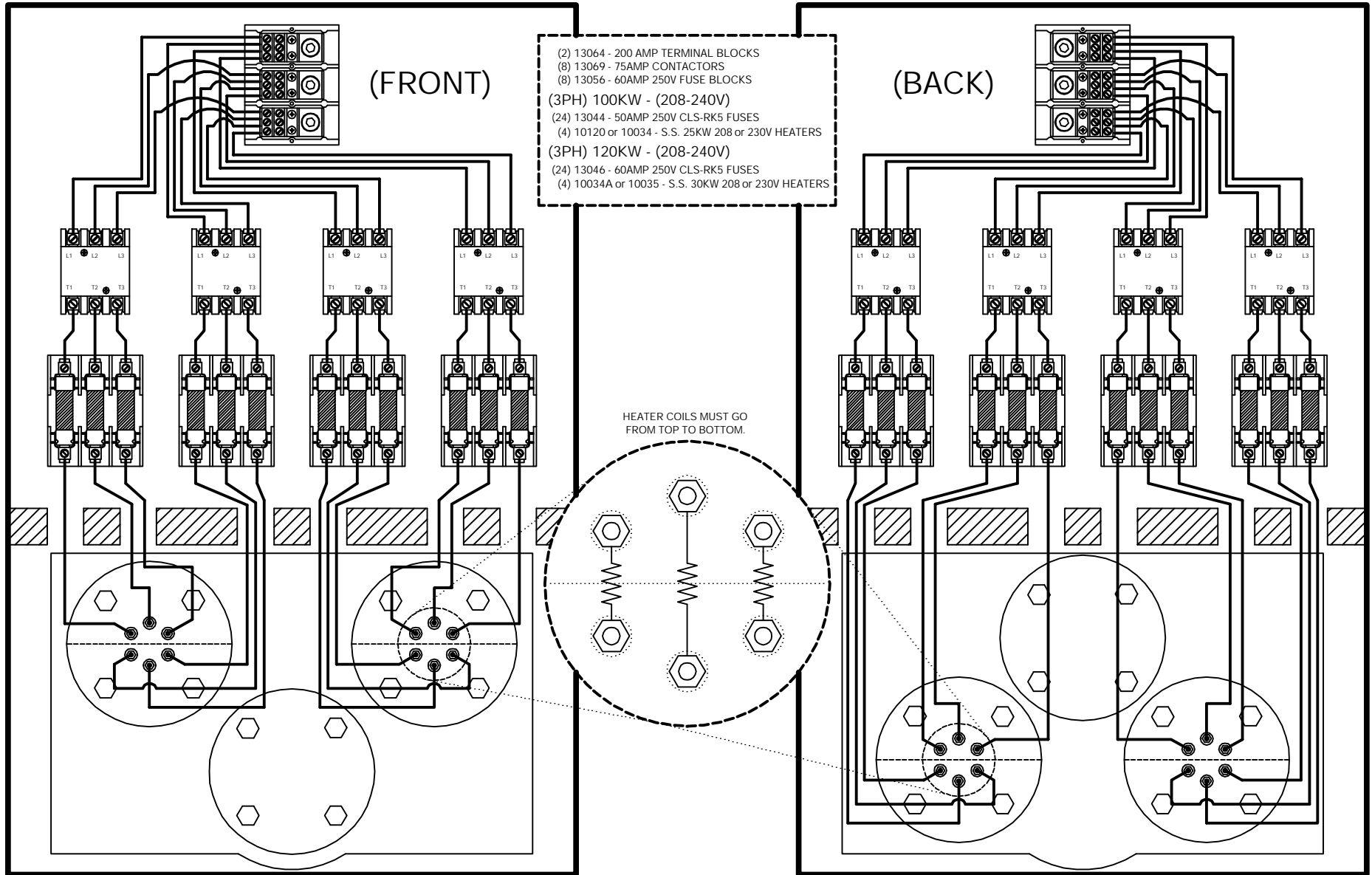


1/3HP PUMP & MOTOR  
HIGH PRESSURE ONLY

This drawing and all information therein are the property of Electro-Steam Generator Corp. and shall not be disclosed, in whole or in part, to any third party without prior permission of Electro-Steam Generator Corp.

DRAWING TITLE: LB (H)		MODEL UNIT: LB 10-240		<b>ELECTRO-STEAM GENERATOR CORP.</b>	
DESCRIPTIONS:		DRAWN BY:	CHRISTOPHER FERRARA	05-22-09	
HIGH PRESSURE		CHECKED BY:	CHRISTOPHER FERRARA	05-22-09	
MERCROID		ENGINEER:	CHRISTOPHER FERRARA	05-22-09	
		APPROVED:	SAL NEGRO	05-22-09	
				DWG NO.:	SCALE: N/A
				50 Indel Ave. P.O. Rancocas, NJ 08073-0438	
				SHEET: 1 OF 1	

# S.S. (3PH) 100-120KW - (208-240V)

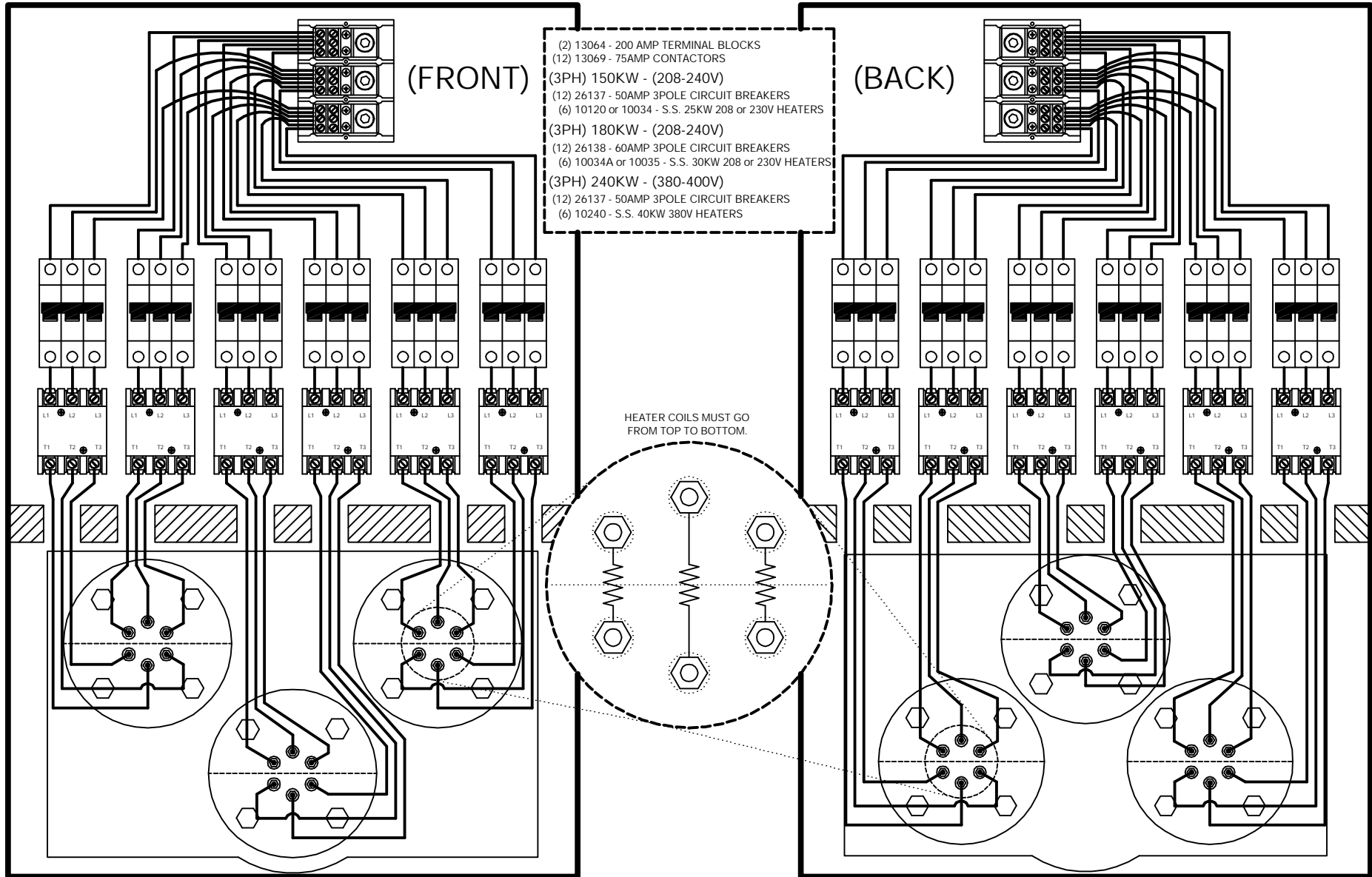


19 of 25

This drawing and all information therein are the property of Electro-Steam Generator Corp. and shall not be disclosed, in whole or in part, to any third party without prior permission of Electro-Steam Generator Corp.

DRAWING TITLE:		(HEATERS) S.S. LB 100-120 (3PH)(208-240V)		MODEL UNIT:	LB 100-120	ELECTRO-STEAM GENERATOR CORP. 50 Indel Ave. P.O. Rancocas, NJ 08073-0438
DESCRIPTIONS:		THREE PHASE HEATER WIRING		DRAWN BY:	CHRISTOPHER FERRARA	
208-240V		STAINLESS STEEL		CHECKED:	CHRISTOPHER FERRARA	06-12-09
				ENGINEER:	-	
				APPROVED:	SAL NEGRO	06-12-09
				DWG NO.:	212-100-120-223000	SCALE: N/A
						SHEET: 1 OF 1

# S.S. (3PH) 150-180KW - (208-240V) 240KW - (380-400V)

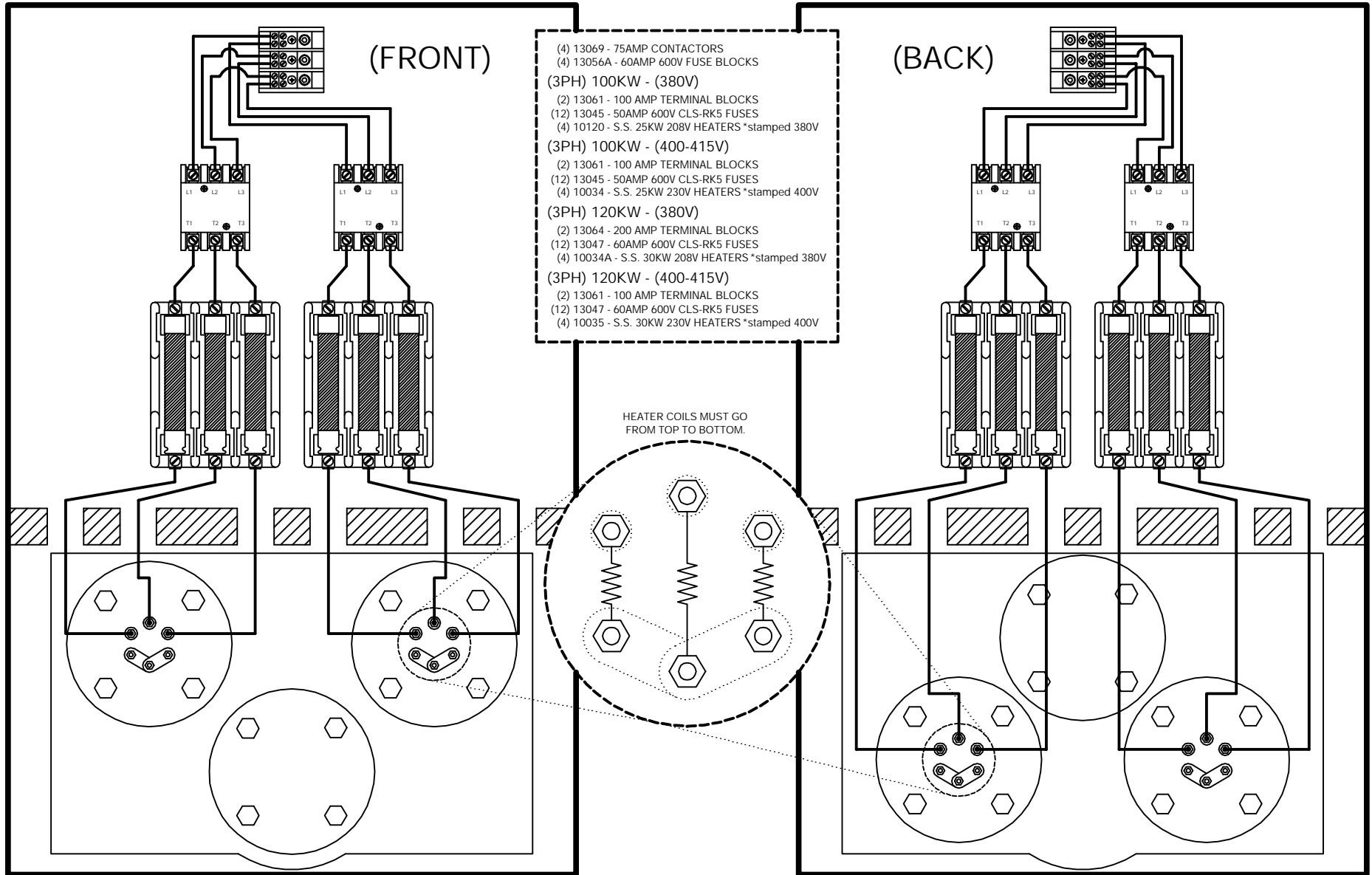


20 of 25

This drawing and all information therein are the property of Electro-Steam Generator Corp. and shall not be disclosed, in whole or in part, to any third party without prior permission of Electro-Steam Generator Corp.

DRAWING TITLE: (HEATERS) S.S. LB 150-180(208-240V), LB 240(380-400V)		MODEL UNIT: LB 150-240		ELECTRO-STEAM GENERATOR CORP.	
DESCRIPTIONS: THREE PHASE HEATER WIRING		DRAWN BY: CHRISTOPHER FERRARA	06-12-09	50 Indel Ave., P.O. Rancocas, NJ 08073-0438	
150-180KW 208-240V		CHECKED BY: CHRISTOPHER FERRARA	06-12-09	DWG NO.: 212-150-240-233000	
240KW 380-400V		ENGINEER: -	-	SCALE: N/A	
APPROVED: SAL NEGRO		06-12-09	SHEET: 1 OF 1		

# S.S. (3PH) 100-120KW - (380-415V)

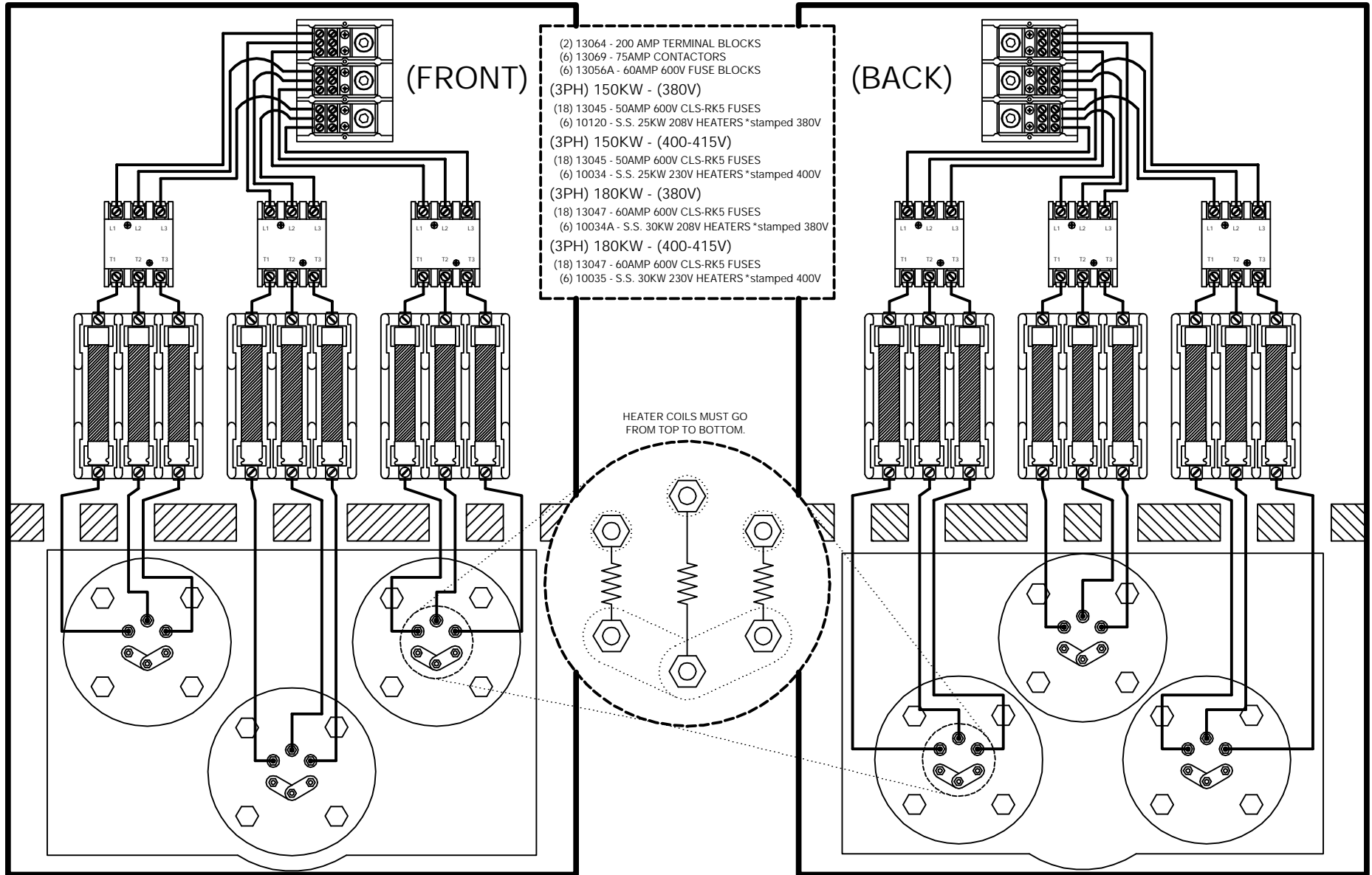


21 of 25

This drawing and all information therein are the property of Electro-Steam Generator Corp. and shall not be disclosed, in whole or in part, to any third party without prior permission of Electro-Steam Generator Corp.

DRAWING TITLE:		(HEATERS) S.S. LB 100-120 (3PH)(380-415V)		MODEL UNIT:	LB 100-120	ELECTRO-STEAM GENERATOR CORP. 50 Indel Ave. P.O. Rancocas, NJ 08073-0438
DESCRIPTION:		THREE PHASE HEATER WIRING		DRAWN BY:	CHRISTOPHER FERRARA	
380-415V		STAINLESS STEEL		CHECKED:	CHRISTOPHER FERRARA	06-12-09
				ENGINEER:	-	
				APPROVED:	SAL NEGRO	06-12-09
				DWG NO.:	212-100-120-343000	SCALE: N/A
						SHEET: 1 OF 1

# S.S. (3PH) 150-180KW - (380-415V)

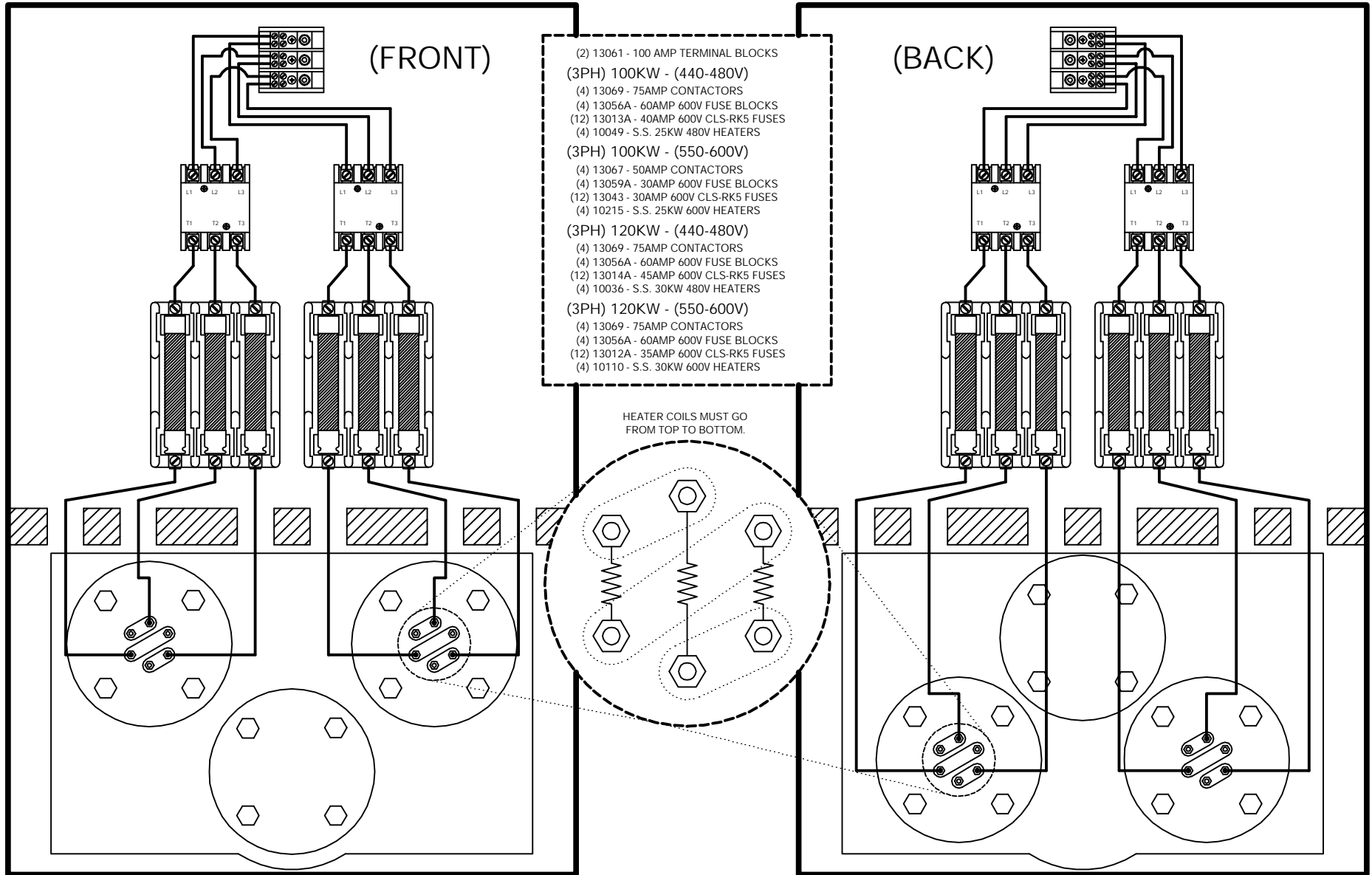


22 of 25

This drawing and all information therein are the property of Electro-Steam Generator Corp. and shall not be disclosed, in whole or in part, to any third party without prior permission of Electro-Steam Generator Corp.

DRAWING TITLE:		(HEATERS) S.S. LB 150-180 (3PH)(380-415V)		MODEL UNIT:	LB 150-180	ELECTRO-STEAM GENERATOR CORP. 50 Indel Ave. P.O. Rancocas, NJ 08073-0438
DESCRIPTION:		THREE PHASE HEATER WIRING		DRAWN BY:	CHRISTOPHER FERRARA	
380-415V		STAINLESS STEEL		CHECKED:	CHRISTOPHER FERRARA	06-12-09
				ENGINEER:	-	
				APPROVED:	SAL NEGRO	06-12-09
				DWG NO.:	212-150-240-343000	SCALE: N/A
						SHEET: 1 OF 1

# S.S. (3PH) 100-120KW - (440-600V)



- (2) 13061 - 100 AMP TERMINAL BLOCKS
- (3PH) 100KW - (440-480V)
- (4) 13069 - 75AMP CONTACTORS
- (4) 13056A - 60AMP 600V FUSE BLOCKS
- (12) 13013A - 40AMP 600V CLS-RK5 FUSES
- (4) 10049 - S.S. 25KW 480V HEATERS
- (3PH) 100KW - (550-600V)
- (4) 13067 - 50AMP CONTACTORS
- (4) 13059A - 30AMP 600V FUSE BLOCKS
- (12) 13043 - 30AMP 600V CLS-RK5 FUSES
- (4) 10215 - S.S. 25KW 600V HEATERS
- (3PH) 120KW - (440-480V)
- (4) 13069 - 75AMP CONTACTORS
- (4) 13056A - 60AMP 600V FUSE BLOCKS
- (12) 13014A - 45AMP 600V CLS-RK5 FUSES
- (4) 10036 - S.S. 30KW 480V HEATERS
- (3PH) 120KW - (550-600V)
- (4) 13069 - 75AMP CONTACTORS
- (4) 13056A - 60AMP 600V FUSE BLOCKS
- (12) 13012A - 35AMP 600V CLS-RK5 FUSES
- (4) 10110 - S.S. 30KW 600V HEATERS

HEATER COILS MUST GO FROM TOP TO BOTTOM.

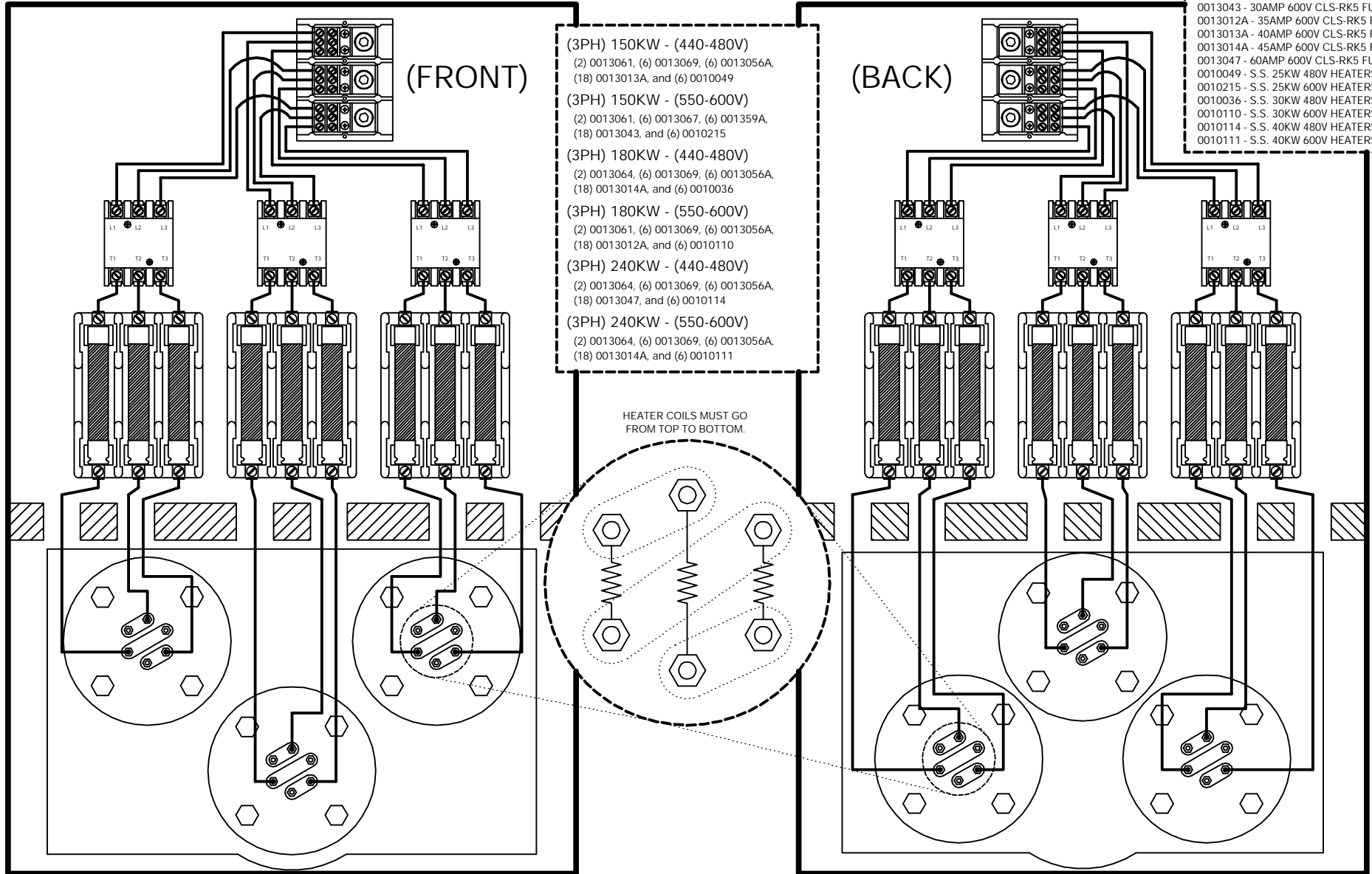
23 of 25

This drawing and all information therein are the property of Electro-Steam Generator Corp. and shall not be disclosed, in whole or in part, to any third party without prior permission of Electro-Steam Generator Corp.

DRAWING TITLE:		(HEATERS) S.S. LB 100-120 (3PH)(440-600V)		MODEL UNIT:	LB 100-120	ELECTRO-STEAM GENERATOR CORP. 50 Indel Ave. P.O. Rancocas, NJ 08073-0438
DESCRIPTION:		THREE PHASE HEATER WIRING		DRAWN BY:	CHRISTOPHER FERRARA	
440-600V		STAINLESS STEEL		CHECKED:	CHRISTOPHER FERRARA	06-12-09
				ENGINEER:	-	
				APPROVED:	SAL NEGRO	06-12-09
				DWG NO.:	212-100-120-563000	SCALE: N/A
						SHEET: 1 OF 1

# S.S. (3PH) 150-240KW - (440-600V)

- 0013061 - 100 AMP TERMINAL BLOCKS
- 0013064 - 200 AMP TERMINAL BLOCKS
- 0013067 - 50AMP CONTACTORS
- 0013069 - 75AMP CONTACTORS
- 0013059A - 30AMP 600V FUSE BLOCKS
- 0013056A - 60AMP 600V FUSE BLOCKS
- 0013043 - 30AMP 600V CLS-RK5 FUSES
- 0013012A - 35AMP 600V CLS-RK5 FUSES
- 0013013A - 40AMP 600V CLS-RK5 FUSES
- 0013014A - 45AMP 600V CLS-RK5 FUSES
- 0013047 - 60AMP 600V CLS-RK5 FUSES
- 0010049 - S.S. 25KW 480V HEATERS
- 0010215 - S.S. 25KW 600V HEATERS
- 0010036 - S.S. 30KW 480V HEATERS
- 0010110 - S.S. 30KW 600V HEATERS
- 0010114 - S.S. 40KW 480V HEATERS
- 0010111 - S.S. 40KW 600V HEATERS



24 of 25

This drawing and all information therein are the property of Electro-Steam Generator Corp. and shall not be disclosed, in whole or in part, to any third party without prior permission of Electro-Steam Generator Corp.

DRAWING TITLE: (HEATERS) S.S. LB 150-240 (3PH)(440-600V)		MODEL UNIT: LB 150-240		<b>ELECTRO-STEAM GENERATOR CORP.</b> 50 Indel Ave., P.O. Rancocas, NJ 08073-0438	
DESCRIPTIONS: THREE PHASE HEATER WIRING		DRAWN BY: CHRISTOPHER FERRARA	06-12-09		
440-600V		CHECKED: CHRISTOPHER FERRARA	06-12-09	DWG NO.: 212-150-240-563000	
STAINLESS STEEL		ENGINEER: -	-	SCALE: N/A	
		APPROVED: SAL NEGRO	06-12-09	SHEET: 1 OF 1	



## ELECTRO-STEAM GENERATOR CORPORATION TERMS AND CONDITIONS OF SALE

**EXCLUSIVE AND ENTIRE:** The following Standard Terms and Conditions are intended by the parties to govern all the purchases of equipment, parts or service from Seller, and together with the specifications provided or embodied herewith, represent the entire understanding of the parties without exception. All other terms and conditions are specifically rejected, and by proceeding with the transaction in any manner, both Seller and Buyer agree that these Standard Terms and Conditions shall control. The price charged by Seller is based on these Standard Terms and Conditions.

### DOMESTIC TERMS

**TERMS:** Net 30 days. A "late payment" in the form of interest at the rate of 2% per month or a service charge of like amount will be levied on all late payments (the type of charge being consistent with the applicable local law). Invoices will be submitted when the equipment, part, service is supplied. Attention to these terms will eliminate delays in starting up any equipment or providing further service or parts. NOTE: Terms pending credit approval.

### INTERNATIONAL TERMS

**TERMS:** Advanced payment (wire transfer, credit card, or cash in advance) or confirmed letter of credit.

**TAXES:** No taxes of any kind are included. All prices herein and/or contracts shall be subject to increase without notice by the amount of present or future sales or excise tax levied or charged, either by Federal, State or any other assessing agency.

**CHANGES:** Changes made after fabrication has begun shall be submitted in writing, signed by Buyer. Buyer agrees to pay the cost of any changes. The specifications and prices are subject to change without notice.

**CLAIMS:** Title passes to the Buyer upon delivery to the carrier, unless otherwise indicated. Safe delivery is the responsibility of the carrier. Damaged merchandise, if accepted, should be noted on the delivery receipt and on the freight bill before acceptance of shipment. Make claim promptly.

**LOCAL CODES:** All LB, LG, SV, SW, VB, and Eagle Series steam generators are built by an ASME Certificate holder in accordance with the ASME Boiler and Pressure Vessel Code Section I – Rules for Construction of Power Boilers ("ASME BPVC Section I"). They also comply with the requirements outlined in The National Board Synopsis of Boiler and Pressure Vessel Laws, Rules and Regulations (NB-370) RULES FOR CONSTRUCTION AND STAMPING section, which for many jurisdictions include but are not limited to ASME BPVC Section I, ASME CSD-1, ASME B31.1, and REGISTRATION WITH THE NATIONAL BOARD. NOTE: It is the responsibility of the installer to conform to any state or local codes. If further inspection following modifications by the installer is required under state and local codes, it is the responsibility of the local installer.

**SEVERABLE AND INDEPENDENT PROVISION:** WITHOUT LIMITING THE FOREGOING, IT IS EXPRESSLY UNDERSTOOD AND AGREED THAT EACH AND EVERY PROVISION OF THIS AGREEMENT THAT PROVIDES FOR A LIMITATION OF LIABILITY, DISCLAIMER OF WARRANTIES, OR EXCLUSION OF DAMAGES IS INTENDED BY THE PARTIES TO BE SEVERABLE AND INDEPENDENT OF ANY OTHER PROVISION AND TO BE ENFORCED AS SUCH. FURTHER, IT IS EXPRESSLY UNDERSTOOD AND AGREED THAT IN THE EVENT ANY REMEDY HEREUNDER IS DETERMINED TO HAVE FAILED ITS ESSENTIAL PURPOSE, ALL OTHER LIMITATIONS OF LIABILITY AND EXCLUSION OF DAMAGES SET FORTH HEREIN SHALL REMAIN IN FULL FORCE AND EFFECT. ALL SUCH PROVISIONS SHALL SURVIVE THE TERMINATION OF THIS AGREEMENT. NO ACTION, REGARDLESS OF FORM, ARISING OUT OF THE TRANSACTIONS OF THIS AGREEMENT MAY BE BROUGHT BY BUYER MORE THAN ONE YEAR AFTER THE CAUSE OF ACTION HAS ACCRUED.

**WARRANTY:** Seller warrants that the equipment, service, software, repair or parts supplied shall conform to the description. In the event that any part or parts, excepting expendable items such as, but not limited to, coil liners, thermocouples, refractories and other similar consumable items, that fail due to defects in material or workmanship within the first twelve (12) months of startup of equipment or eighteen (18) months after shipment, whichever occurs first, or in the case of service, repairs, or parts, within twelve (12) months of supplying such service, repair or part, Seller shall at its option, repair or replace EXW (Ex works), such defective part or parts. If the equipment, service, repair or part included software, Seller warrants, for a period of twelve (12) months of startup or eighteen (18) months after shipment, whichever occurs first, that the software supplied or serviced will meet its published functional specifications. Should software fail to meet the specifications, or be otherwise defective, Seller shall promptly correct errors or non-conformities. If correction is not possible, Seller shall replace defective software, or, at Seller's option, refund the purchase price paid for such software. The warranty obligations of Seller with respect to equipment not manufactured by Seller shall conform to and be limited to the warranty actually extended to Seller by its suppliers. Notice of a claim for alleged defective equipment must be given within fifteen (15) days after Buyer learns of the defect. The defective part or parts shall be returned to Seller, freight prepaid, unless otherwise directed by Seller. This warranty shall be exclusive and in lieu of any other warranties and Seller makes no warranty of merchantability or warranties of any other kind express or implied, including any implied warranty of fitness for a particular purpose which extend beyond the warranty as set forth above. Seller's liability for any and all losses and damages to Buyer resulting from defective parts of equipment shall in no event exceed the cost of repair or replacement, EXW of defective parts or equipment. IN NO EVENT SHALL SELLER BE LIABLE FOR INCIDENTAL, SPECIAL OR CONSEQUENTIAL DAMAGES OF ANY KIND OR NATURE WHATSOEVER.

**PATENT INDEMNITY:** Seller agrees to indemnify Buyer against any proven claim and assessed liability for infringement of any United States patent arising from the manufacture or sale of any apparatus furnished by Seller to Purchaser. THE FOREGOING STATES SELLER'S ENTIRE LIABILITY FOR CLAIMS OR PATENT INFRINGEMENT. Seller shall have no liability whatsoever if the claim of infringement arises out of Seller's compliance with Purchaser's specifications. Seller shall have no liability whatsoever if a claim of infringement is based upon the Purchaser's use of the equipment as part of a patented combination where the other elements of the combination are not supplied by Seller, or in the practice of a patented process. Where the specifications, process, design are supplied by Purchaser, then Buyer agrees to indemnify Seller in like manner.

**PROPRIETARY RIGHTS:** Unless otherwise stated herein all design, manufacturing processes, manufacturing information, vendor sources, know-how, equipment, tooling or other hardware, software, or information (collectively referred to as "resources") acquired or utilized by the Seller to produce the finished goods, and any intellectual property rights, including but not limited to patents, copyrights and trade secrets related in any way to the resources, are and shall hereinafter remain the exclusive property of the Seller, regardless of whether such resources are created solely by the Seller, or by Buyer's collaboration with the Seller, for example, where Seller utilizes Buyer's specifications to create resources, and the Buyer shall acquire or receive no rights or title therein or thereto as a result of this purchase whether or not the order provides for Seller's delivery of technical data, drawings or other information to the Buyer in addition to the finished goods. Unless Seller's prior written consent is given, in no event shall the Buyer permit such data, drawings or information to be: (1) disclosed to any third party other than the Buyer's customer; (2) used by the Buyer or the Buyer's customer for manufacture of like or similar goods; (3) used for purposes of duplicating or reverse-engineering Seller's proprietary designs or processes; or (4) used by a party other than the Buyer or the Buyer's customer for any purpose.

**LIMITATION OF LIABILITY:** SELLER'S TOTAL AGGREGATE LIABILITY (ARISING OUT OF OR IN CONNECTION WITH BUT NOT LIMITED TO ANY BREACH OF CONTRACT, NEGLIGENCE, TORT, LIQUIDATED DAMAGES, SPECIFIC PERFORMANCE, TERMINATION, CANCELLATION INCLUDING THE REPAYING OF THE CONTRACT PRICE OR PARTS THEREOF, FUNDAMENTAL BREACH, BREACH OF WARRANTIES, MISREPRESENTATION, NONPERFORMANCE, NONPAYMENT, OR ANY OTHER) WHETHER BASED IN CONTRACT, IN TORT, IN EQUITY, ON STATUTE, AT LAW OR ON ANY OTHER THEORY OF LAW, SHALL NOT EXCEED THE PAID CONTRACT PRICE. THE BUYER ACKNOWLEDGES THAT THE REMEDIES PROVIDED IN THIS CONTRACT ARE EXCLUSIVE AND IN LIEU OF ALL OTHER REMEDIES AVAILABLE TO THE BUYER AT LAW, IN CONTRACT, IN TORT, IN STATUTE OR IN EQUITY OR IN ANY OTHER THEORY OF LAWS.

**INSURANCE:** Buyer represents that they have a program of Insurance which adequately protects their interest, and that of their employees and agents, including damage to plant, property and equipment, personal injury of any kind, directly or indirectly related in any way to the equipment, service, repair or parts supplied by Seller. Accordingly, Buyer waives any claim against Seller for the foregoing, and on behalf of its Insurance Company, any right of subrogation in connection therewith.

**U.S. EXPORT CONTROLS:** All items furnished by Seller to Buyer in connection herewith shall at all times be subject to the export control laws and regulations of the U.S. including, but not limited to, 10 CFR Part 810 and U.S. Export Administration Regulations. Buyer agrees and give assurance that no items, equipment, materials, service, technical data, technology, software or other technical information or assistance furnished by Seller, or any good or product resulting therefrom, shall be exported or re-exported by Buyer or its authorized transferees, if any, directly or indirectly, unless in accordance with applicable U.S. export laws and regulations. The aforesaid obligations shall survive any satisfaction, expiration, termination or discharge of any other contract obligations.

**FREIGHT TERMS:** F.O.B. Factory. Unloading and transportation to job site are at the Buyer's expense.

**INSTALLATION:** No installation or job supervision charges are included.

**RETURN OF MATERIAL:** No goods will be accepted for return without a return authorization number from the factory. A 25% restocking fee is charged on returns, freight prepaid.

**FORCE MAJEURE:** If the performance of any part of this contract by Seller is rendered commercially impracticable by reason of any strike, fire, flood, accident, or any other contingency, the non-occurrence of which was a basic assumption of this contract including war, embargo, government regulation, or any unforeseen shutdown of major supply sources or other like causes beyond the control of Seller such as cannot be circumvented by reasonable diligence and without unusual expense, Seller shall be excused from such performance in whole or in part to the extent that it is prevented and for as long a period of time as these conditions render Seller's performance commercially impractical.

**LAW:** This Agreement shall be governed by the internal laws of the State of New Jersey, USA, and any claims arising hereunder shall be prosecuted in the US District Court having jurisdiction of causes arising in the District in which Seller is located. CISG (the Convention for the International Sale of Goods) is expressly rejected.